



MAIN PONTOONS
CONNECTING EQUIPMENT
ACCESSORIES
MOORING EQUIPMENT

Product Features

Rotodock floating pier systems can meet all the applications on the water surface. With modular design and ease of use, Rotodock provides installation possibilities varying from commercial applications to personal usage and requirement and environment conditions. Upon demand, parts can be added into the system at later stage.

Each part of Rotodock are self-floating and easy to install. You can determine the installation type you need. The product is designed by considering the bearing capacity for heavy loads. Pontoon and apparatus are connected with each other by using strong and flexible rubber. Lower and upper parts are gathered with composite parts. It is moored by means of vault, chain, pipe or special coast mooring apparatus.

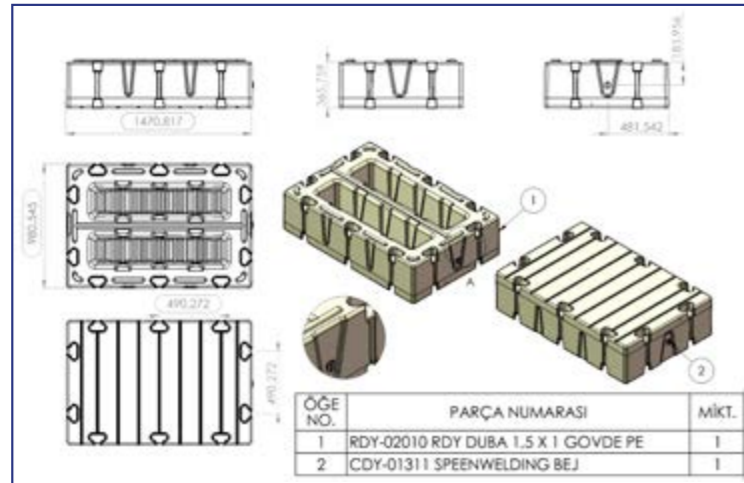
Application Fields

- Floating Piers • Marinas • Landscaping Applications
- Industrial Applications • Floating Café and Restaurants
- Floating Advertising Applications

Product Code: Product Definition:

1m x 1,5m Main Pontoon

- RDS-01010-BJ** RD PONTOON 1 m x 1,5 m BEIGE
- RDS-01011-BJ** RD PONTOON 1 m x 1,5 m + INSERT BEIGE
- RDS-01015-BJ** RD PONTOON 1 m x 1,5 m + PS FILLING BEIGE
- RDS-01016-BJ** RD PONTOON 1 m x 1,5 m + INSERT + PS FILLING BEIGE



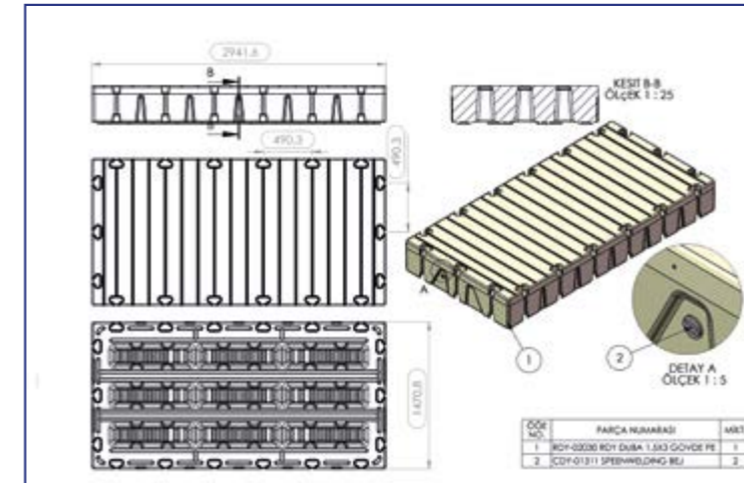
Technical Information

Width	: 1 m	Bearing Capacity	: 300 kg / m ²
Length	: 1,5 m	Weight	: 45 kg
Height	: 38 cm	Material	: Polyethylene
Freeboard	: 35 cm		

Product Code: Product Definition:

1,5 m x 3 m Main Pontoon

- RDS-01030-BJ** RD PONTOON 1,5 m x 3 m BEIGE
- RDS-01031-BJ** RD PONTOON 1,5 m x 3 m + INSERT BEIGE
- RDS-01035-BJ** RD PONTOON 1,5 m x 3 m + PS FILLING BEIGE
- RDS-01036-BJ** RD PONTOON 1,5 m x 3 m + INSERT + PS FILLING BEIGE



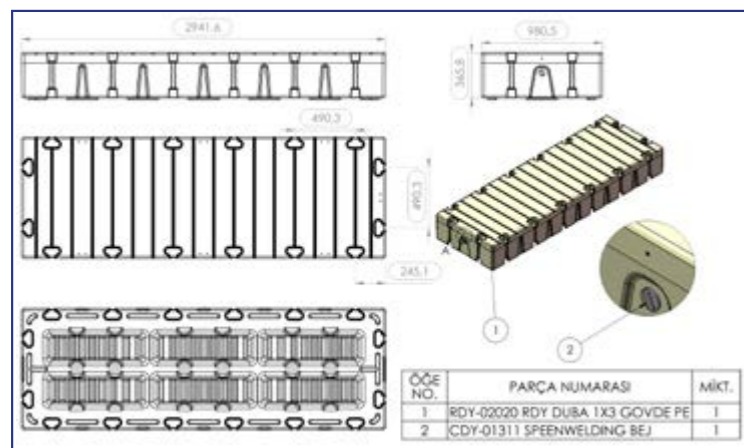
Technical Information

Width	: 1,5 m	Bearing Capacity	: 300 kg / m ²
Length	: 3 m	Weight	: 125 kg
Height	: 38 cm	Material	: Polyethylene
Freeboard	: 35 cm		

Product Code: Product Definition:

1m x 3m Main Pontoon

- RDS-01020-BJ** RD PONTOON 1 m x 3 m BEIGE
- RDS-01021-BJ** RD PONTOON 1 m x 3 m + INSERT BEIGE
- RDS-01025-BJ** RD PONTOON 1 m x 3 m + PS FILLING BEIGE
- RDS-01026-BJ** RD PONTOON 1 m x 3 m + INSERT + PS FILLING BEIGE



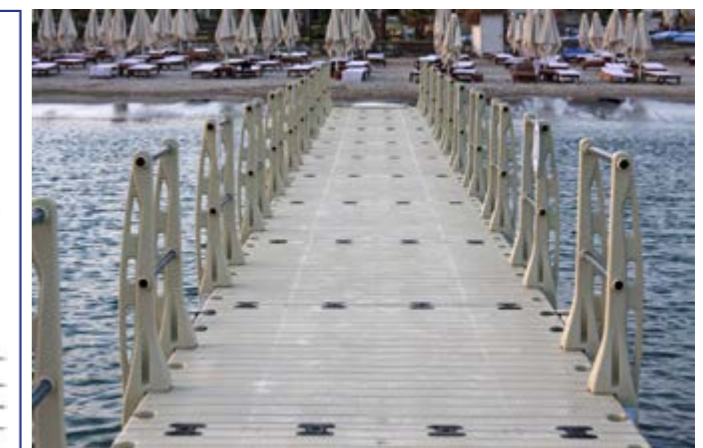
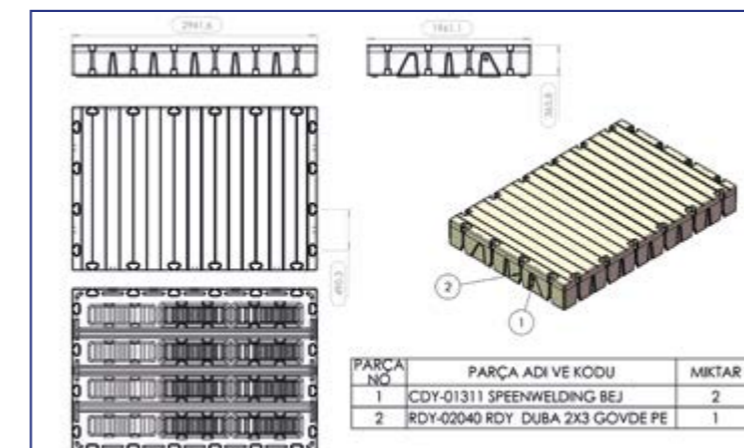
Technical Information

Width	: 1 m	Bearing Capacity	: 300 kg / m ²
Length	: 3 m	Weight	: 85 kg
Height	: 38 cm	Material	: Polyethylene
Freeboard	: 35 cm		

Product Code: Product Definition:

2 m x 3 m Main Pontoon

- RDS-01040-BJ** RD PONTOON 2 m x 3 m BEIGE
- RDS-01041-BJ** RD PONTOON 2 m x 3 m + INSERT BEIGE
- RDS-01045-BJ** RD PONTOON 2 m x 3 m + PS FILLING BEIGE
- RDS-01044-BJ** RD PONTOON 2 m x 3 m + INSERT + PS FILLING BEIGE



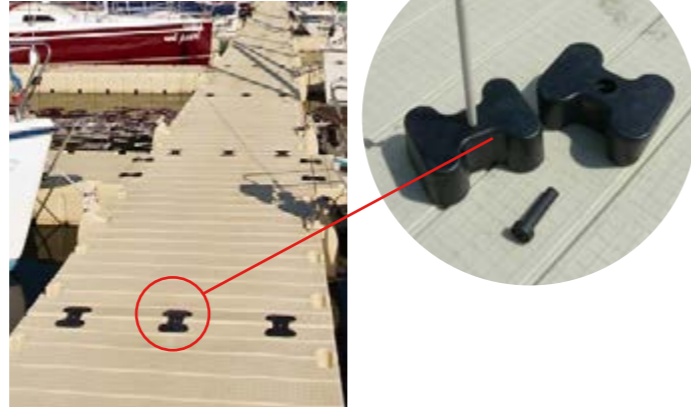
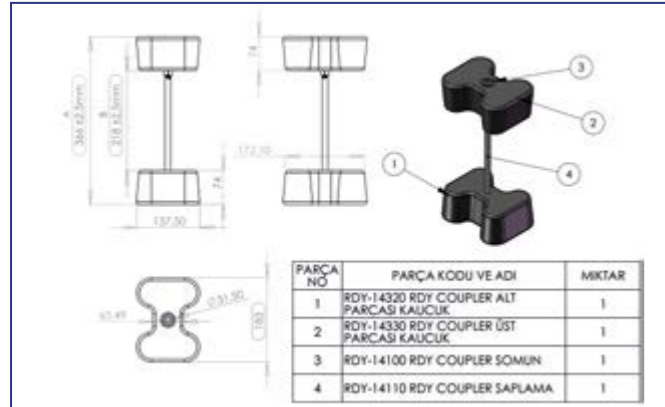
Technical Information

Width	: 2 m	Bearing Capacity	: 300 kg / m ²
Length	: 3 m	Weight	: 180 kg
Height	: 38 cm	Material	: Polyethylene
Freeboard	: 35 cm		



Product Code: Product Definition:

RDS-07000 RD COUPLER SET WITH RUBBER PE PIN



Technical Information

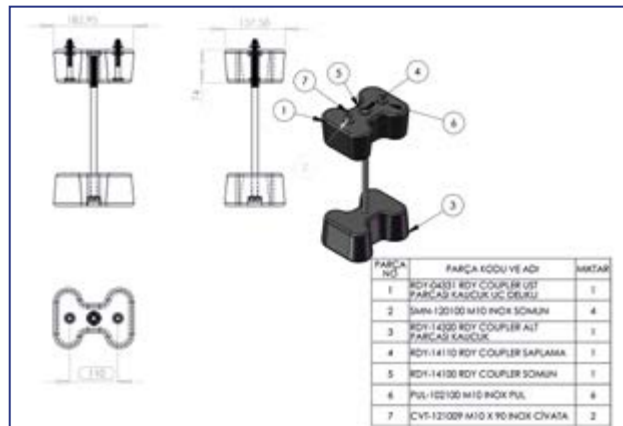
Width	: 13,7 cm	Weight	: 2,6 kg
Length	: 17,2 cm	Material	: Rubber
Height	: 37 cm		

Additional Information

Rotodock allows the pontoons to be mounted to each other and is made of durable and flexible rubber material.

Product Code: Product Definition:

RDS-07002 RUBBER SET WITH THREE HOLES



Technical Information

Width	: 13,7 cm	Weight	: 3 kg
Length	: 17,2 cm	Material	: Rubber
Height	: 37 cm		

Additional Information

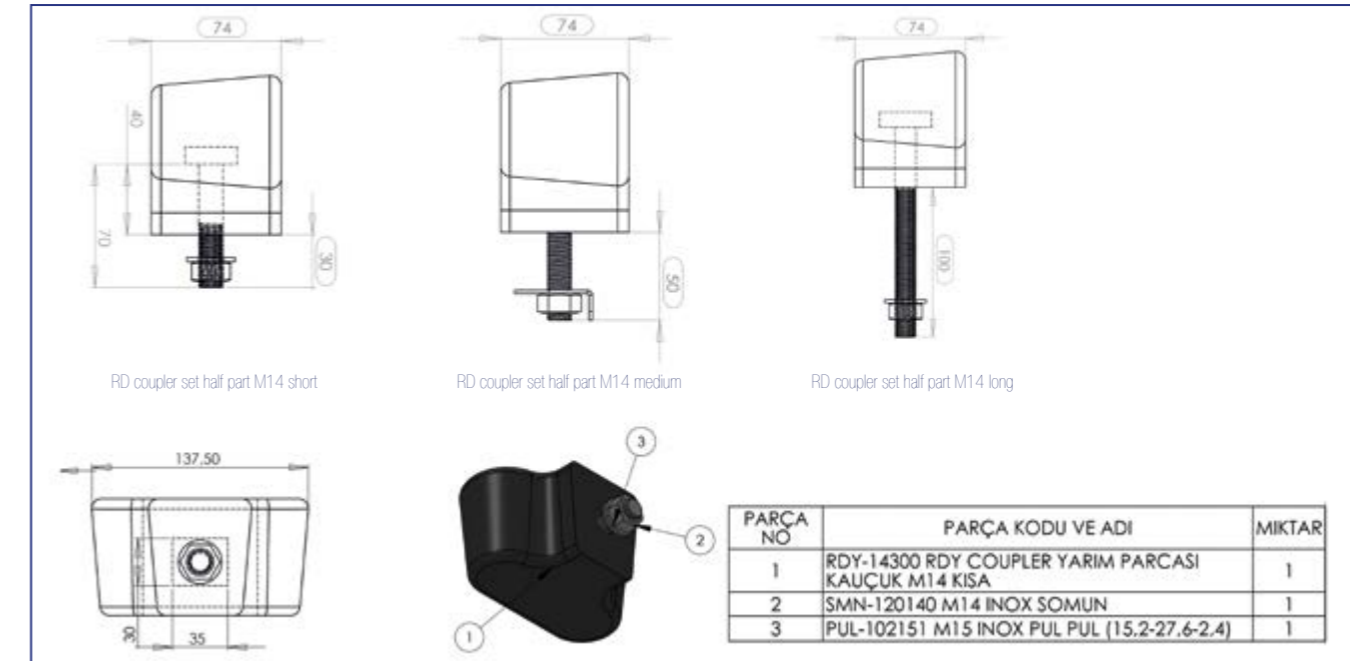
Rotodock allows the connection of main pontoons each other. Any object can be mounted upper side with bolt.



Product Code: Product Definition:

- RDS-07010** RD COUPLER SET HALF PART M14 SHORT
- RDS-07012** RD COUPLER SET HALF PART M14 MEDIUM
- RDS-07011** RD COUPLER SET HALF PART M14 LONG

Bolted Side Rubber



Technical Information

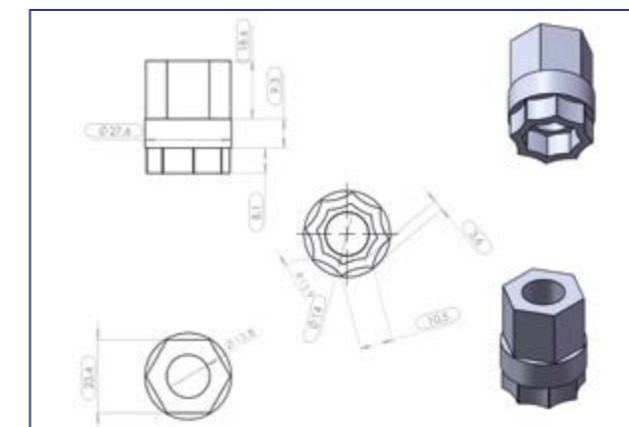
Width	: 13,7 cm	Weight	: 1 kg
Length	: 12 cm	Material	: Rubber
Height	: 7,5 cm		

Additional Information

It allows any part mounting on the product by means of bolt in the rubber.

Installation Equipment

RDS-17200 RD SPANNER



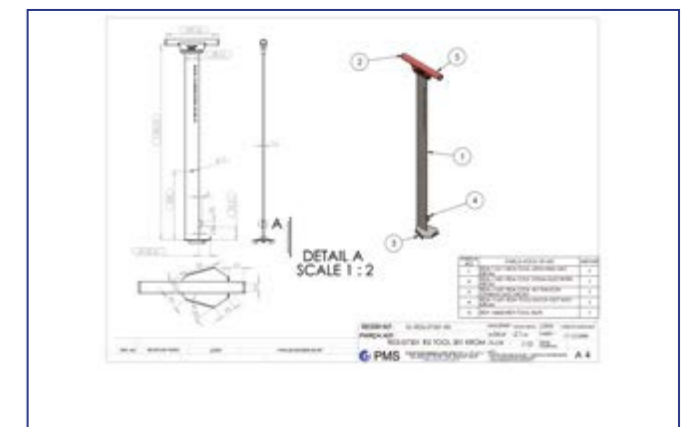
Technical Information

Diameter	: 3,6 cm	Weight	: 0,015 kg
Height	: 2,8 cm	Material	: Plastic

Additional Information

It is used together with socket heads of 22 and 24 in order to insert the ratchets for tightening the rubber bolts.

RDS-07301 RD CHROME WRENCH



Technical Information

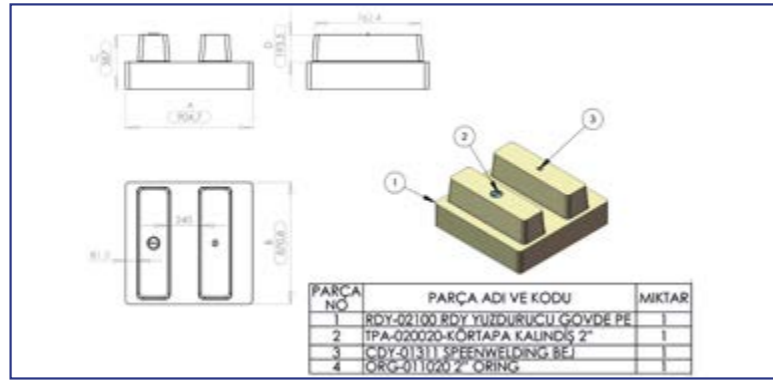
Width	: 30 cm	Weight	: 3,2 kg
Height	: 113 cm	Material	: Chrome

Additional Information

It is an equipment to mount the Rotodock pontoons on the water to each other with rubber parts.

Product Code: Product Definition:

RDS-04100-BJ RD FLOATER 2x3 SET



Technical Information

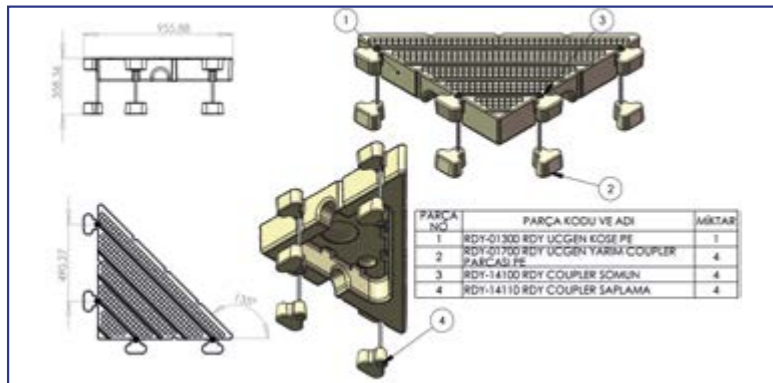
Width	: 87 cm	Weight	: 15 kg
Length	: 90 cm	Material	: Polyethylene
Height	: 39 cm		

Additional Information

Rotodock is installed to the ducts under the pontoons. It is used on the burdering points like the point that gangway takes place. It provide extra bearing capacity of 215 kg.

Product Code: Product Definition:

RDS-04400-BJ RD TRIANGULAR CORNER SET



Technical Information

Width	: 96 cm	Weight	: 12 kg
Length	: 96 cm	Material	: Polyethylene
Height	: 35 cm		

Additional Information

It is used on the corners and provides a more aesthetical view.

Product Code: Product Definition:

RDS-04500-BJ RD BANK SET GALVANIZED



Technical Information

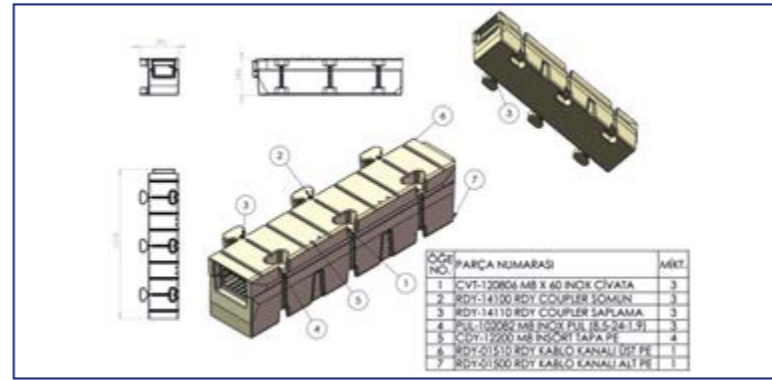
Width	: 124 cm	Weight	: 68,5 kg
Length	: 59 cm	Material	: Polyethylene
Height	: 159 cm		

Additional Information

It creates areas for 2 persons to sit on the pier with ease.

Product Code: Product Definition:

RDS-04300-BJ RD CABLE DUCT SET



Technical Information

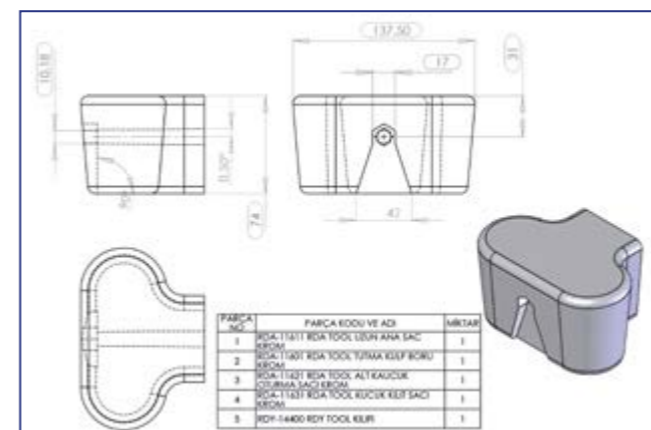
Width	: 151 cm	Weight	: 28,5 kg
Length	: 36 cm	Material	: Polyethylene
Height	: 39 cm		

Additional Information

Extra ducts enabling to deliver the cables of electricity, water and similar facilities easily.

Product Code: Product Definition:

RDY-01900 COUPLER HALF PART PE



Technical Information

Width	: 14 cm	Weight	: 1 kg
Length	: 12 cm	Material	: Polyethylene
Height	: 7,5 cm		

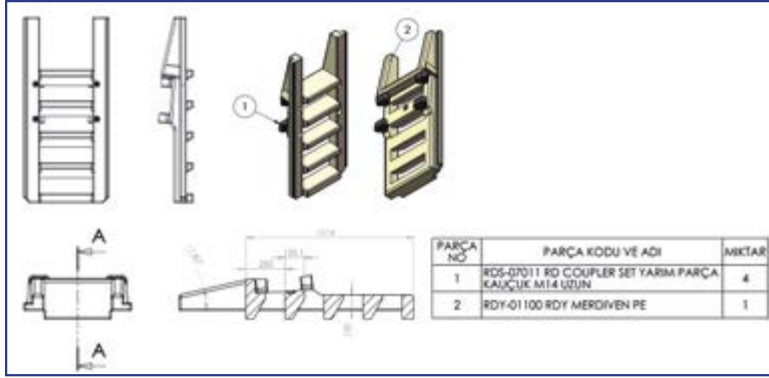
Additional Information

It is used to cover the open-ended rotodock pontoon pockets.



Product Code: Product Definition:

RDS-04200-BJ PE LADDER SET



Technical Information

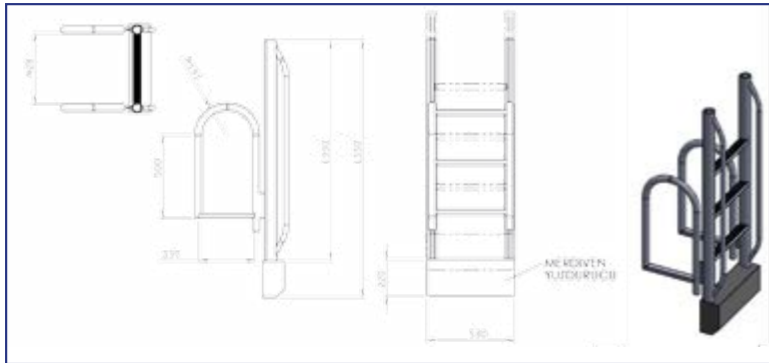
Width	: 11 cm	Weight	: 20 kg
Length	: 69 cm	Material	: Polyethylene
Height	: 150 cm		

Additional Information

One-piece polyethylene ladder is durable, safe and strong.

Product Code: Product Definition:

RDS-04210 PE LADDER ALUMINIUM 3 STEP



Technical Information

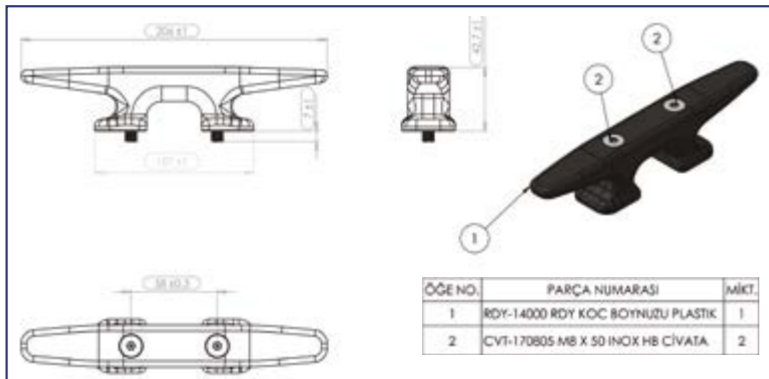
Width	: 55 cm	Weight	:
Length	:	Material	: Aluminium
Height	: 168 cm		

Additional Information

It uplifts the part of the ladder in the water with a special water-gauge systems when not in use. Therefore it decreases the soaking time of the system and minimizes corrosion.

Product Code: Product Definition:

RDS-04600-BJ RD CLEAT SET



Technical Information

Width	: 20,5 cm	Weight	: 0,3 kg
Length	:	Material	: Plastic
Height	: 4,2 cm		

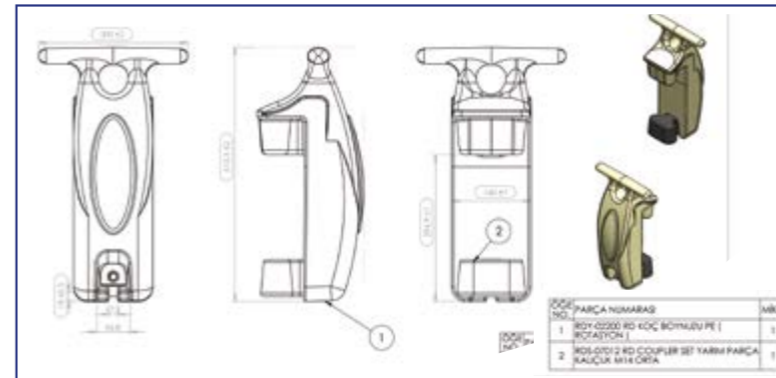
Additional Information

The inserting rotodock can be mounted to the pontoons. It is used to bind boat etc. to the pontoons by the help of rope.

Cleats

Product Code: Product Definition:

RDS-04601-BJ PE CLEAT W/ FENDER SET



Technical Information

Width	: 30 cm	Weight	: 2,9 kg
Length	: 21 cm	Material	: Polyethylene
Height	: 51 cm		

Additional Information

Rotational production cleat with fender. Includes fender to prevent damage to the boat and cleat for mooring the boat at wharf.

Product Code: Product Definition:

RDS-04610 RD CLEAT SET GALVANISED



Technical Information

Width	: 30 cm	Weight	: 7,5 kg
Length	:	Material	: Galvanized
Height	: 45 cm		

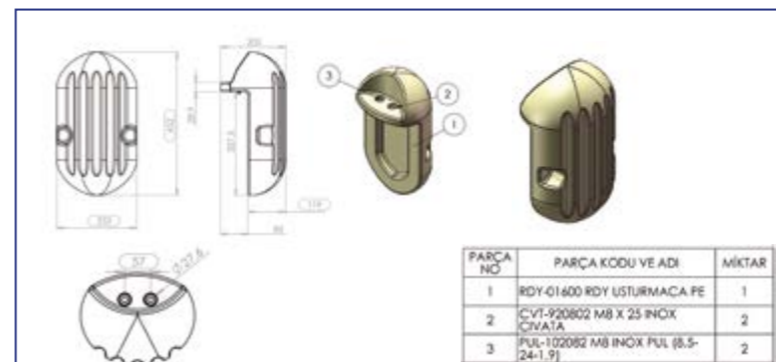
Additional Information

Provides high tonnage mooring capacity. Rubber guard prevents damage to boats.

Product Code: Product Definition:

RDS-04700-BJ RD CLEAT SET PE (BEIGE)

RDS-04710-BJ RD CLEAT SET AFINITY (BEIGE)



Technical Information

Width	: 21 cm	Weight	: 1,85 kg
Length	: 30 cm	Material	: Polyethylene
Height	: 51 cm		

Additional Information

Used for cleating on wharves. Made in two different material types: polyethylene material and soft material.

Fender

Product Code: Product Definition:

Guard Rails

- RDS-05010** RD GUARD RAIL 1,5 M SET GALVANIZED HALF RUBBER COUPLER
- RDS-05020** RD GUARD RAIL 2 M SET GALVANIZED HALF RUBBER COUPLER
- RDS-05030** RD GUARD RAIL 3 M SET GALVANIZED HALF RUBBER COUPLER

PARÇA NO	PARÇA ADI VE KODU	MİKTAR
1	RDY-0710 RDY KORKULUK 1,5 M GALVANİZ	1
2	RDS-07010 RD COUPLER SET YARIM PARÇA KAUCUK M14 KISA	4

PARÇA NO	PARÇA ADI VE KODU	MİKTAR
1	RDY-0710 RDY KORKULUK 2 M GALVANİZ	1
2	RDS-07010 RD COUPLER SET YARIM PARÇA KAUCUK M14 KISA	8

PARÇA NO	PARÇA ADI VE KODU	MİKTAR
1	RDY-0710 RDY KORKULUK 3 M GALVANİZ	1
2	RDS-07010 RD COUPLER SET YARIM PARÇA KAUCUK M14 KISA	8

GUARD RAIL DETAILS

Additional Information

It prevents the walking person to fall from the pier and creates holding areas. It is made of hot-dip galvanized coating.



Product Code: Product Definition:

RDS-05090 RD GUARD RAIL SET PE

PARÇA NO	PARÇA ADI VE KODU	MİKTAR
1	RDY-0710 RDY KORKULUK PE	1
2	RDS-07010 RD COUPLER SET YARIM PARÇA KAUCUK M14 ORTA	1

Technical Information

Width	: 16 cm	Weight	: 4 kg
Length	: 16 cm	Material	: Polyethylene
Height	: 136 cm		

Additional Information

It provides safety on the pier by means of rope or PVC pipes being reeved from the holes on the guard rails.

Product Code: Product Definition:

RDS-07101-BJ RD VAULT BRACKET SET, CAPPED

PARÇA NO	PARÇA ADI VE KODU	MİKTAR
1	CVI-120603 M8 X 30 ROLÜ ÇUVATA	4
2	RDY-07000 RDY TONKOL BORU	1
3	RDY-01300 RDY TONKOL BORU SAKLAMA PE	1
4	RDY-01200 RDY BRACKET PE	1
5	RDS-07000 RD COUPLER SET KAUCUK PE SIFALAMALI	2

Mooring with Chain and Vault



Technical Information

Width	: 39 cm	Weight	: 8,75 kg
Length	: 79 cm	Material	: Polyethylene
Height	: 66 cm		

Additional Information

It allows the pier connection of the chains connecting with the vaults used to moor the pier.

Product Code: Product Definition:

RDS-07102 RD VAULT PIPE CAPPED SET GALVANIZED

ÖÇE NO	PARÇA NUMARASI	MİKT
1	CVI-120603 M8 X 30 ROLÜ ÇUVATA	4
2	RDY-07000 RDY TONKOL BORU GALVANİZ	1
3	RDY-01300 RDY TONKOL BORU SAKLAMA PE	1



Technical Information

Diameter	: 20 cm	Weight	: 5 kg
Height	: 66 cm	Material	: Galvanized

Additional Information

It allows to adjust the demanded scope of cable with the special chain lock system.

Product Code: Product Definition:

RDS-07410 RD STANDARD CHAIN PASSING SET

PARÇA NO	PARÇA ADI VE KODU	MİKTAR
1	RDY-07500 RDY ÖLÜ AĞIRLIK PARÇASI GALVANİZ	1
2	RDS-07010 RD COUPLER SET YARIM PARÇA KAUCUK M14 KISA	1



Technical Information

Width	: 10 cm	Weight	: 3,25 kg
Length	: 5 cm	Material	: Galvanized
Height	: 45,5 cm		

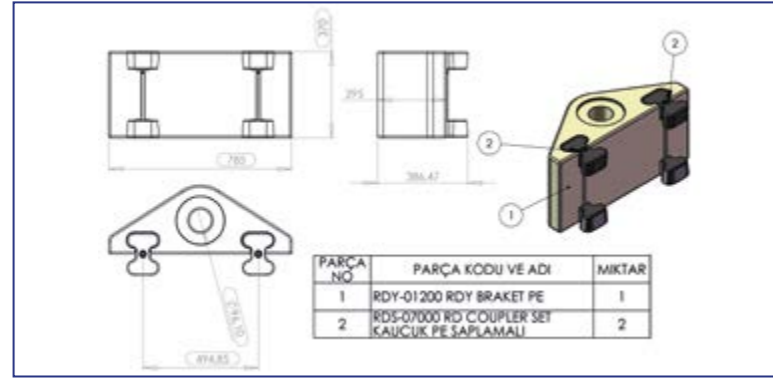
Additional Information

It allows the pier connection of the chains connecting with the vaults used to moor the pier.

Product Code: Product Definition:

Mooring with Pole

RDS-07100 RD PIPE BRACKET SET (PIPELESS)



Technical Information

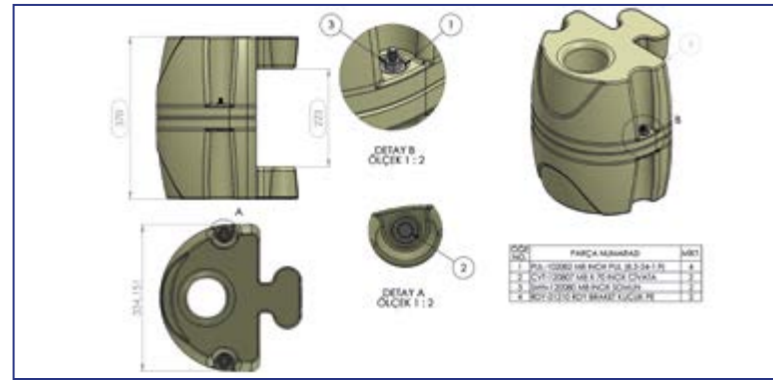
Width	: 39 cm	Weight	: 13 kg
Length	: 79 cm	Material	: Polyethylene
Height	: 37 cm		

Additional Information

The pier is moored by means of pipes whose diameter is up to 9 cm.

Product Code: Product Definition:

RDS-07110-BJ RD BRACKET SET VAULT-PIPED AND CAPPED



Technical Information

Width	: 33,5 cm	Weight	: 5 kg
Length	: 32,5 cm	Material	: Polyethylene
Height	: 37 cm		

Additional Information

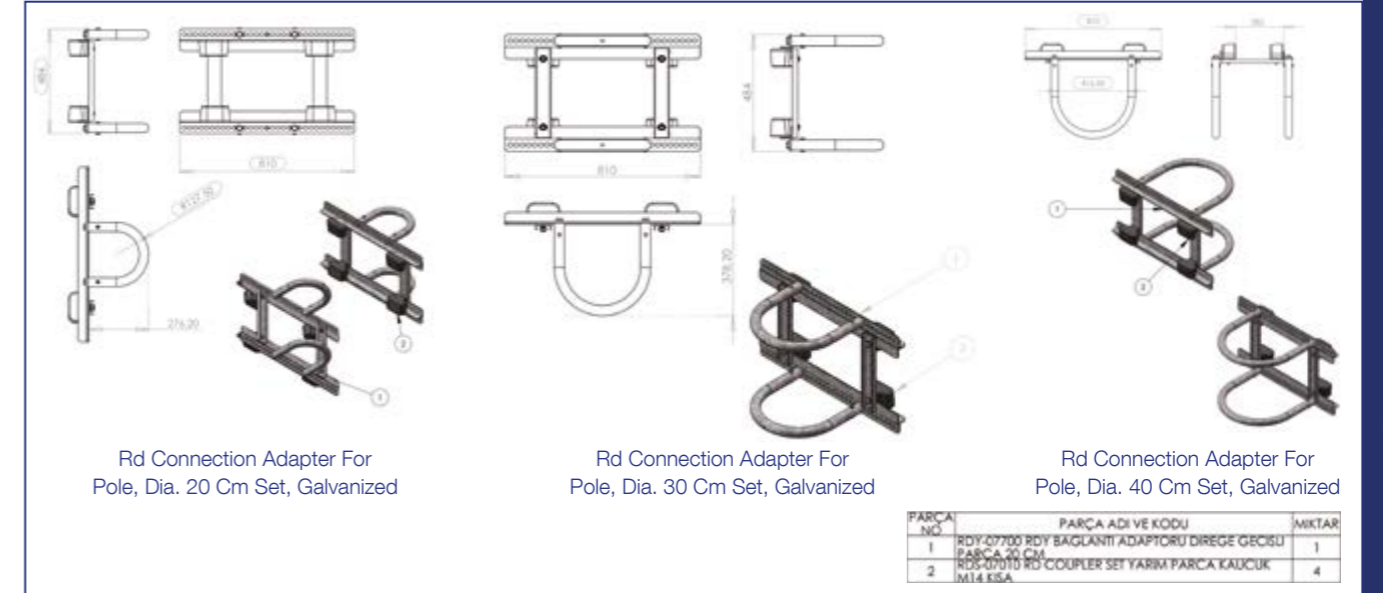
It is used for moulding the small piers in moderate weather conditions.



Product Code: Product Definition:

Mooring with Pole

- RDS-07420** RD CONNECTION ADAPTER FOR POLE, DIA. 20 CM SET GALVANIZED
- RDS-07430** RD CONNECTION ADAPTER FOR POLE, DIA. 30 CM SET GALVANIZED
- RDS-07440** RD CONNECTION ADAPTER FOR POLE, DIA. 40 CM SET GALVANIZED



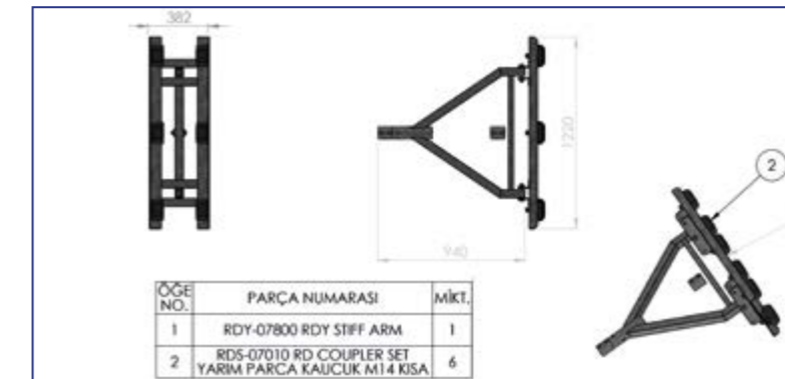
Technical Information

Width	: 81 cm	Diameter	: 20 cm
Length	: 20 cm	Weight	: 21,5 kg
Height	: 49 cm	Material	: Galvanized

Additional Information

It allows the pier systems to be moored by using poles of 20, 30 and 40 cm diameter.

RDS-07500-BJ STIFF ARM SET GALVANIZED



Technical Information

Width	: 94 cm	Weight	: 55,5 kg
Length	: 38 cm	Material	: Galvanized
Height	: 122 cm		

Additional Information

By means of plate set mounted to the coast, Stiff Arm is connected with the bracket, therefore the pier is fixed in a particular distance from the coast.

