

- CUBES
- CONNECTING EQUIPMENT
- ACCESSORIES
- MOORING EQUIPMENT
- SPARE PARTS

### Product Features

Sunnydock is made of high density inflated polyethylene. Sunnydock system is designed complying with many floating projects, however it is suitable for off-shores and fields being exposed to frequent waves and/or winds. The main elements of the product (cubes) have 3 different dimensions: 50x50x40 cm, 50x100x40 cm and 50x100x25 cm. SUNNYDOCK is durable, useful, maintenance-free, UV protected, 100% recyclable and resistant to deterioration. Due to the fact that polyethylene is environment-friendly, it is harmless for water and environment. It is resistant to bad weather conditions, acid, alkali and hydrocarbon.

The protectors on the edges prevent the possible damages. The product life can maintain its durability for years based on the usage. Sunnydock pontoon systems can be used as floating platforms in various special organizations such as fish farms, marina installations, concerts and water sports etc.

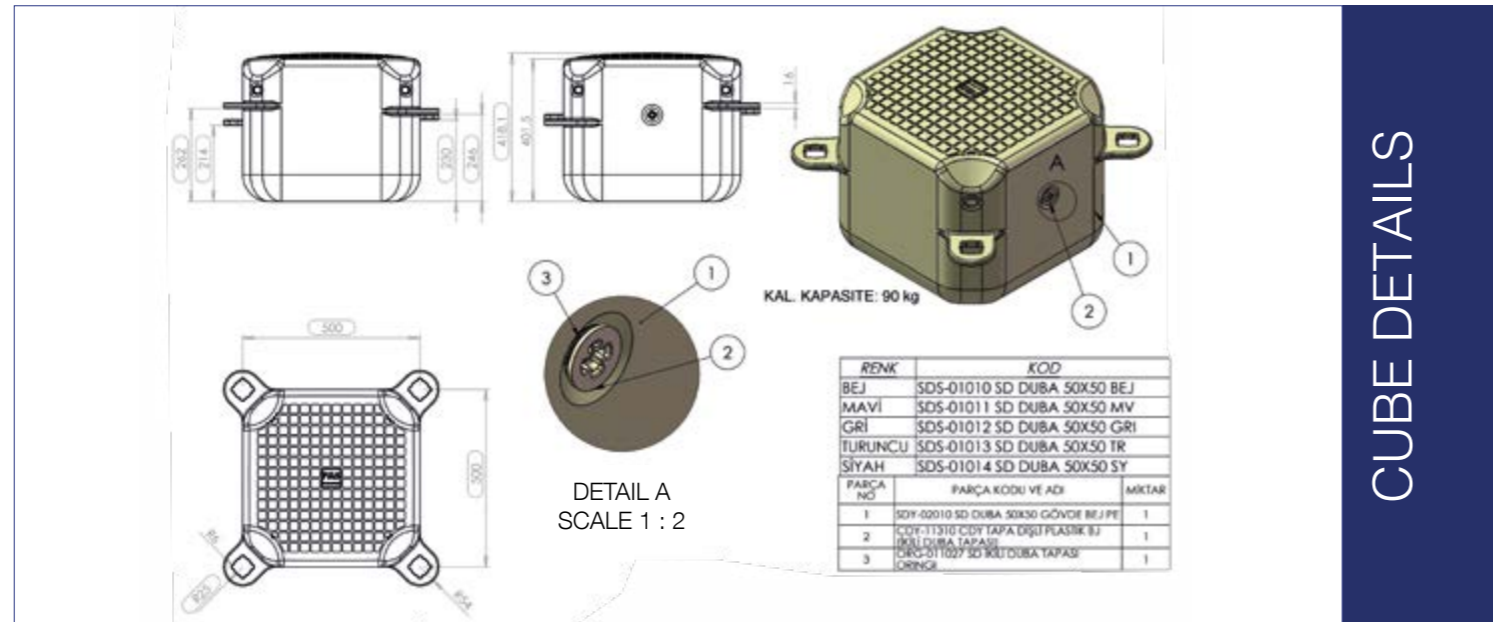
### Application Fields

- Floating Piers
- Marinas
- Landscaping Applications
- Industrial Applications
- Floating Gate and Restaurants
- Floating Advertising Applications

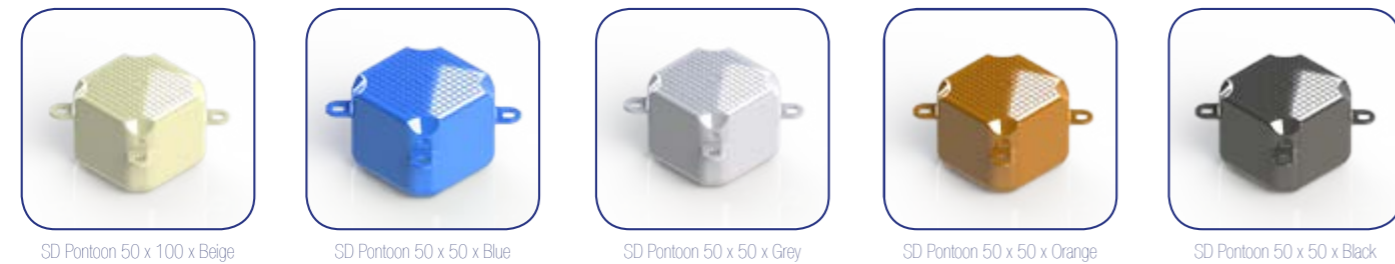
Product Code: Product Definition:

<b>SDS-01010</b>	SD Pontoon 50x50x40 cm BEIGE
<b>SDS-01011</b>	SD Pontoon 50x50x40 cm BLUE
<b>SDS-01012</b>	SD Pontoon 50x50x40 cm GREY
<b>SDS-01013</b>	SD Pontoon 50x50x40 cm ORANGE
<b>SDS-01014</b>	SD Pontoon 50x50x40 cm BLACK

Standard Cubes



CUBE DETAILS



Technical Information

Width	: 50 m	Bearing Capacity	: 360 kg m <sup>2</sup>
Length	: 50 m	Weight	: 6,5 kg
Height	: 40 cm	Material	: Polyethylene

Additional Information

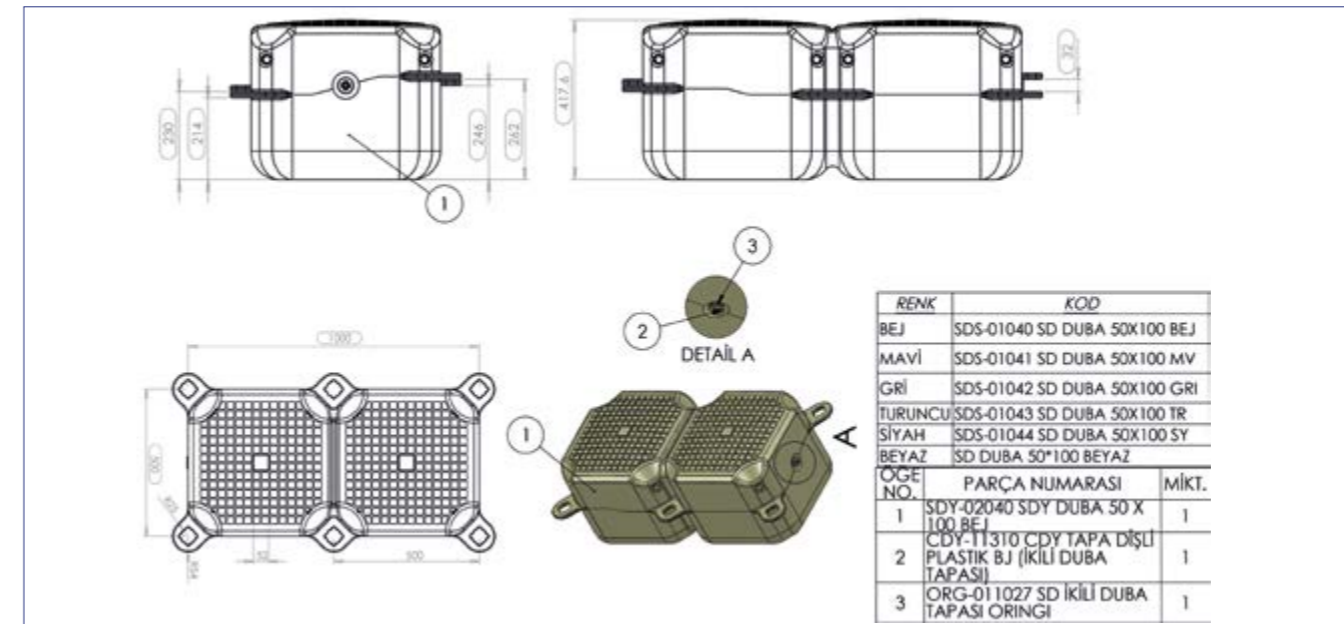
It has bearing capacity of 360 kg per m<sup>2</sup>. It provides anti-slip with its special surface. It allows air entry and exit by means of its plug. It is not affected by temperature change on summer and winter.



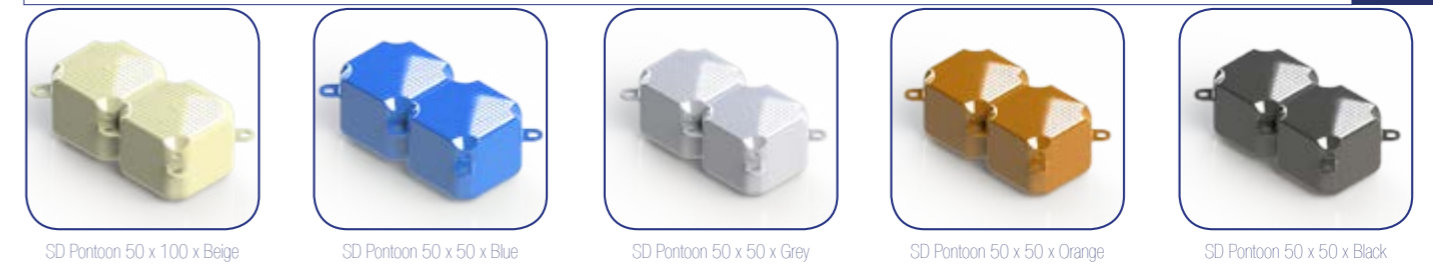
Product Code: Product Definition:

<b>SDS-01040</b>	SD Pontoon 50 x 100 x 40 cm BEIGE
<b>SDS-01041</b>	SD Pontoon 50 x 100 x 40 cm BLUE
<b>SDS-01042</b>	SD Pontoon 50 x 100 x 40 cm GREY
<b>SDS-01043</b>	SD Pontoon 50 x 100 x 40 cm ORANGE
<b>SDS-01044</b>	SD Pontoon 50 x 100 x 40 cm BLACK
<b>SDS-01045</b>	SD Pontoon 50 x 100 x 40 cm WHITE

Double Cubes



CUBE DETAILS



Technical Information

Width	: 50 m	Bearing Capacity	: 360 kg m <sup>2</sup>
Length	: 100 m	Weight	: 11 kg
Height	: 40 cm	Material	: Polyethylene

Additional Information

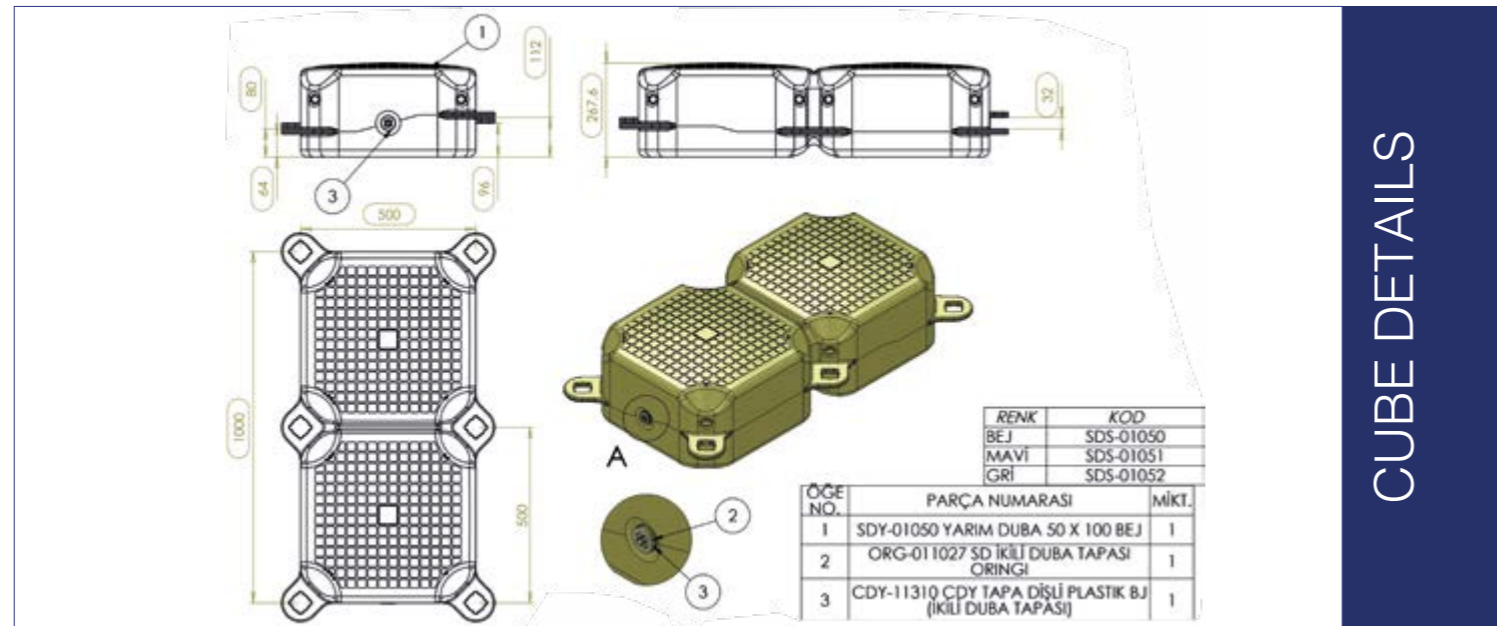
It has bearing capacity of 360 kg per m<sup>2</sup>. It consists of two pieces of single cube. It can be used on the pier surface in still waters.



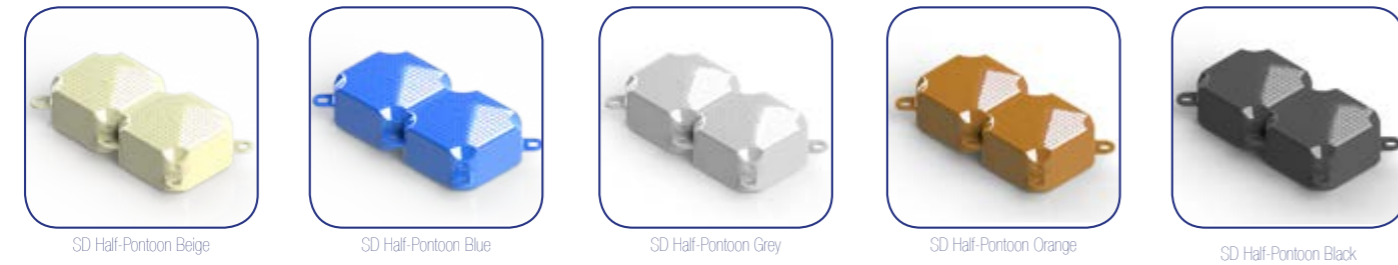
Product Code: Product Definition:

<b>SDS-01050</b>	SD Half- Pontoon 50x100x25 cm BEIGE
<b>SDS-01051</b>	SD Half - Pontoon 50x100x25 cm BLUE
<b>SDS-01052</b>	SD Half - Pontoon 50x100x25 cm GREY
<b>SDS-01053</b>	SD Half - Pontoon 50x100x25 cm BLACK

Double Half-Cubes



CUBE DETAILS



Technical Information

Width	: 100 m	Bearing Capacity	: 240 kg m <sup>2</sup>
Length	: 50 m	Weight	: 11 kg
Height	: 25 cm	Material	: Polyethylene

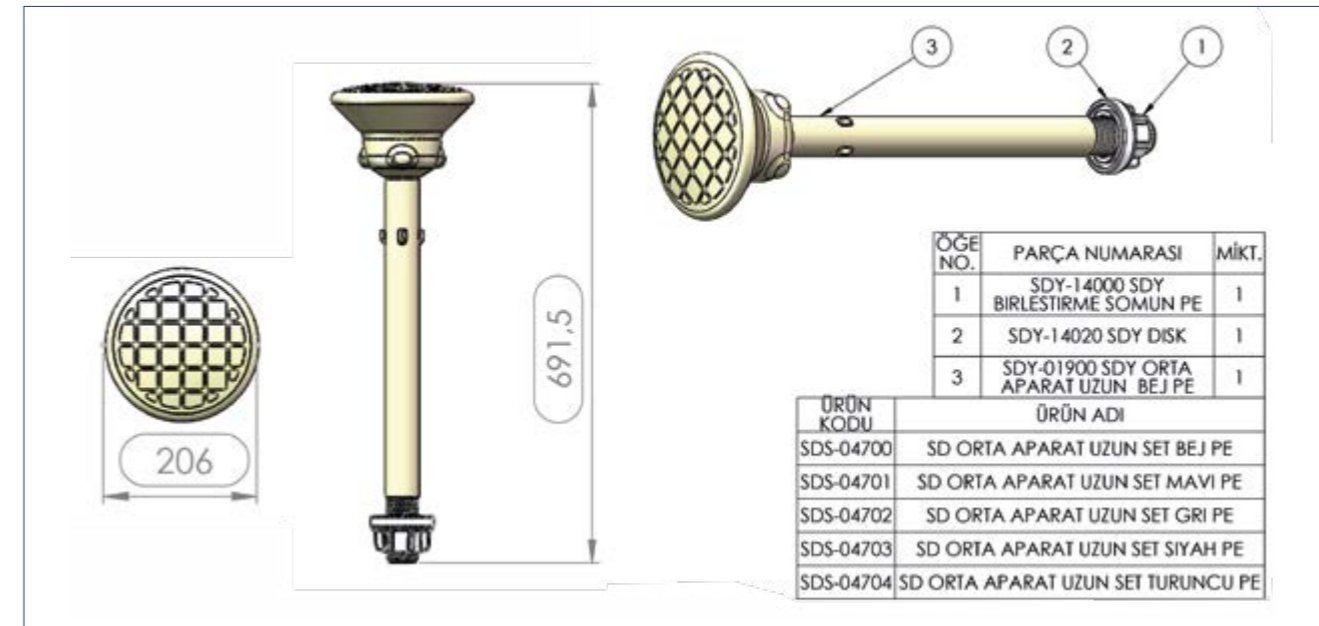
Additional Information

It has height of 25 cm. It can be used as passing bridge from sandy, gravelled and muddy coasts to main pier. Additionally, it can be used in order to establish pool floor.



Product Code: Product Definition:

<b>SDS-04700</b>	SD LONG MIDPOINT APPARATUS BEIGE
<b>SDS-04701</b>	SD LONG MIDPOINT APPARATUS BLUE
<b>SDS-04702</b>	SD LONG MIDPOINT APPARATUS GREY
<b>SDS-04703</b>	SD LONG MIDPOINT APPARATUS BLACK
<b>SDS-04704</b>	SD LONG MIDPOINT APPARATUS ORANGE



LONG MIDPOINT APPARATUS DETAILS



Technical Information

Height	: 69 cm	Weight	: 1 kg
		Material	: Polyethylene

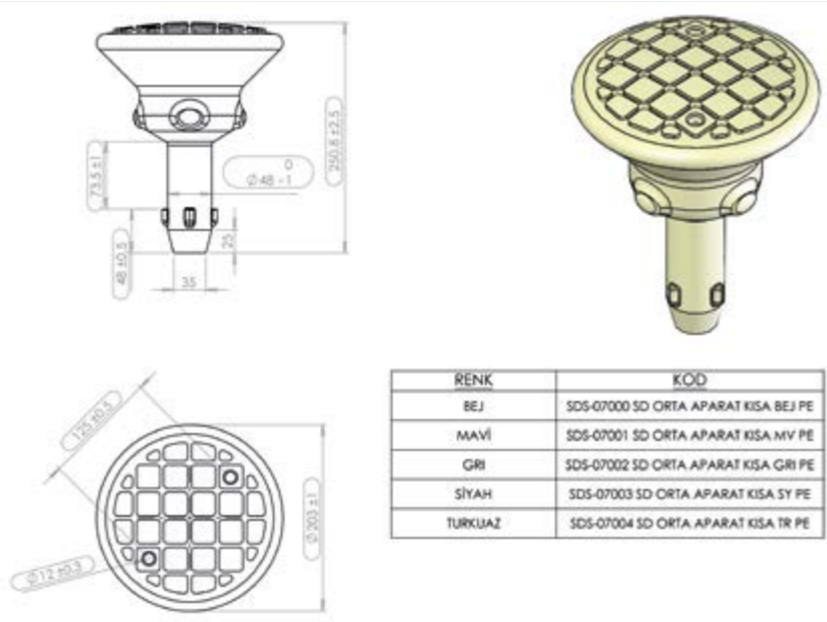
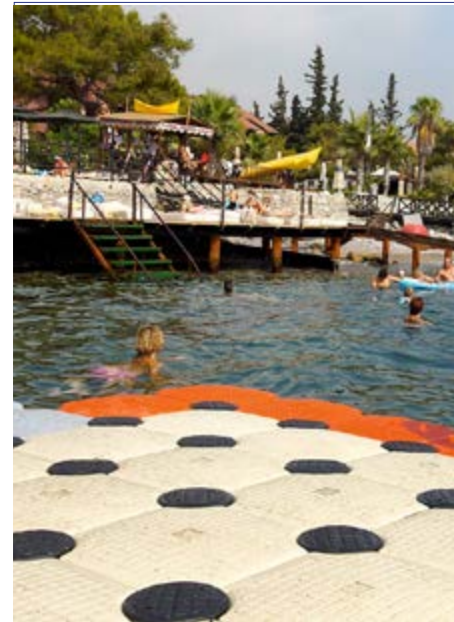
Additional Information

It is used to establish double-layered pontoons. The midpoint apparatus is fastened with lock equipment.



Product Code: Product Definition:

<b>SDS-07000</b>	SD SHORT MIDPOINT APPARATUS BEIGE
<b>SDS-07001</b>	SD SHORT MIDPOINT APPARATUS BLUE
<b>SDS-07002</b>	SD SHORT MIDPOINT APPARATUS GREY
<b>SDS-07003</b>	SD SHORT MIDPOINT APPARATUS BLACK
<b>SDS-07004</b>	SD SHORT MIDPOINT APPARATUS ORANGE



RENK	KOD
BEJ	SDS-07000 SD ORTA APARAT KISA BEJ PE
MAVİ	SDS-07001 SD ORTA APARAT KISA MAVİ PE
GRI	SDS-07002 SD ORTA APARAT KISA GRI PE
SİYAH	SDS-07003 SD ORTA APARAT KISA SİYAH PE
TURKUAZ	SDS-07004 SD ORTA APARAT KISA TURKUAZ PE

MIDPOINT APPARATUS DETAILS

**Technical Information**

Height	: 69 cm	Weight	: 0,77 kg
		Material	: Polyethylene

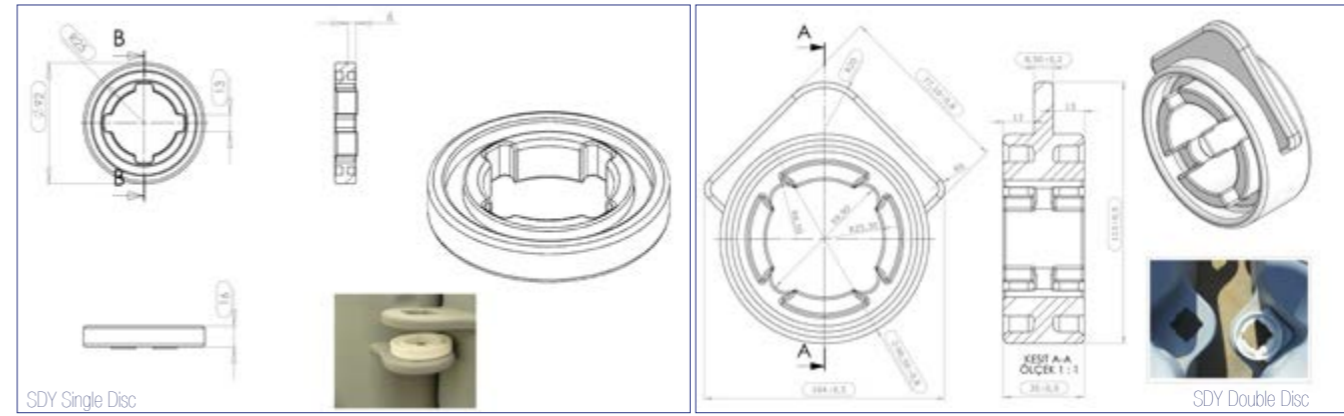
**Additional Information**

The midpoint apparatus combines the modules by placing on the connection points of the cube modules. The midpoint is fastened and untied with lock equipment.



Product Code: Product Definition:

<b>SDY-14020</b>	SD SINGLE DISC
<b>SDY-14022</b>	SD DOUBLE DISC



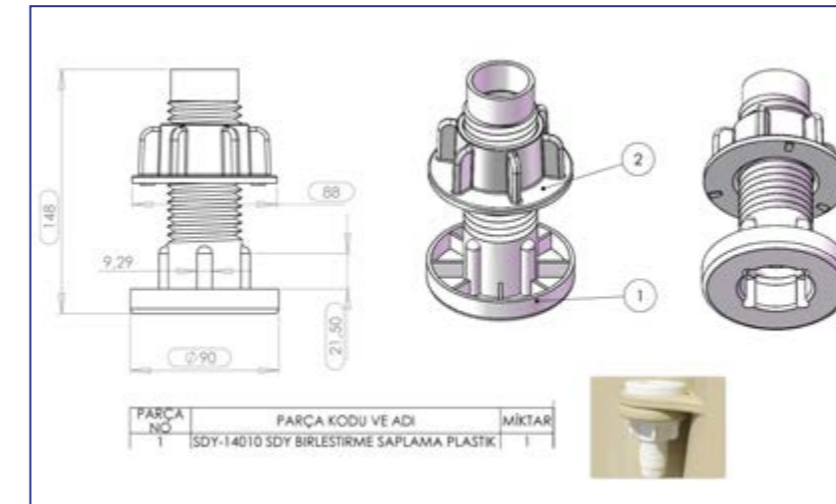
DISC DETAILS

**Additional Information**

It is utilized to fill the gaps on the outer flanges occurring due to pontoon connection.

Product Code: Product Definition:

<b>SDS-07400</b>	CONNECTING SET COUPLING + NUT
------------------	-------------------------------



**Technical Information**

Diameter	: 9 cm	Weight	: 0,16 kg
Height	: 14 cm	Material	: Polyethylene

**Additional Information**

It allows to connect and tighten the overlapped flange parts of the pontoon modules.

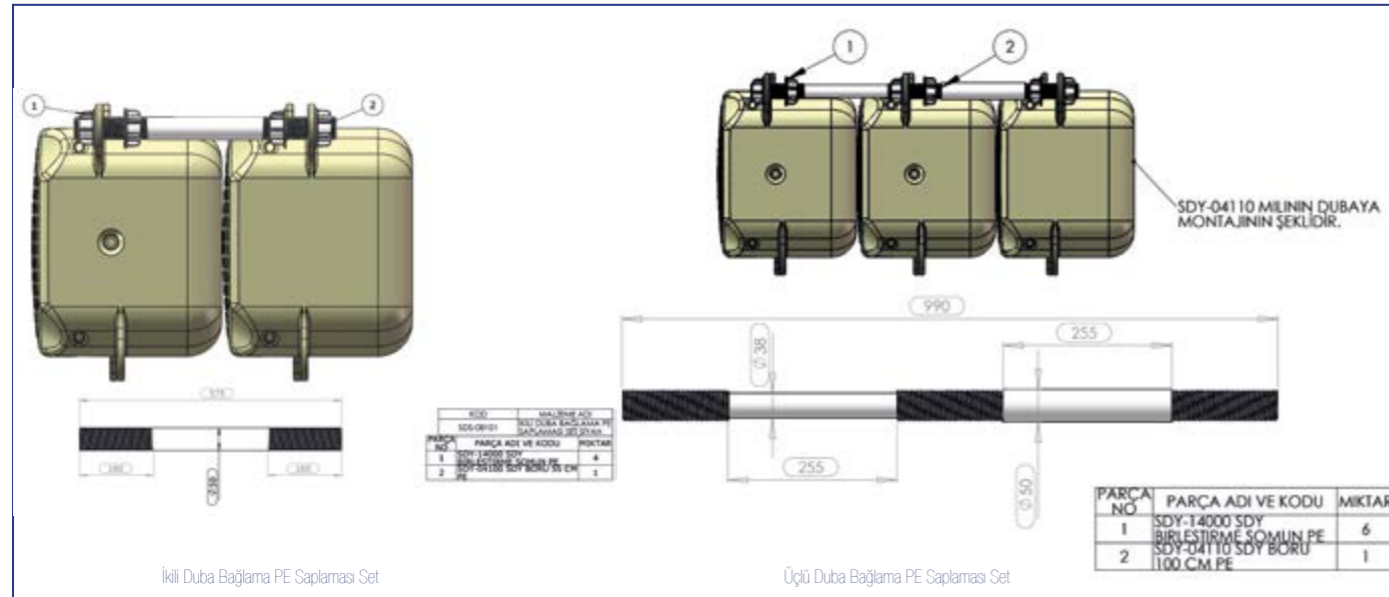
Product Code: Product Definition:

- SDS-08100** DOUBLE PONTOON CONNECTING PIN SET
- SDS-08110** TRIPLE PONTOON CONNECTING PIN SET



**Additional Information**

Double and triple pontoon connecting pin sets are used in order to create layer on the pontoons. The usage fields are sitting areas, lodges, stair and similar places.



Product Code: Product Definition:

- SDS-17300** COUPLING AND PLUG WRENCH
- SDS-07200** MIDPOINT APPARATUS LOCK WRENCH
- SDY-02500** STEP WRENCH

**Installation Equipment**



Midpoint Apparatus Lock Wrench



Coupling and Plug Wrench



Ladder Wrench

**Additional Information**

Midpoint apparatus lock wrench enables the module of floating system to be mounted and locked each other.

**Additional Information**

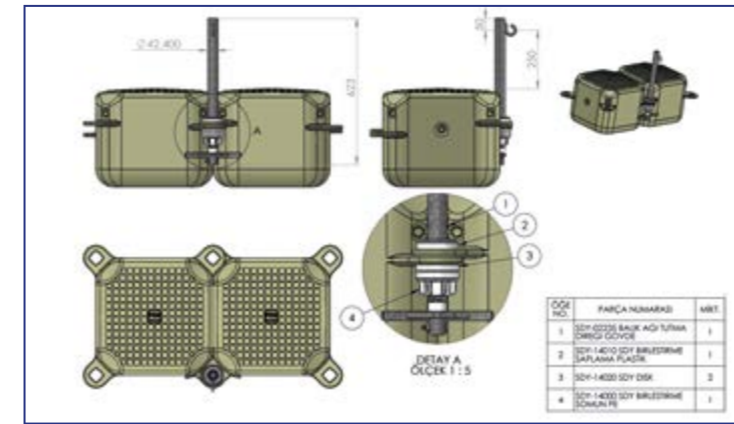
It is used to tighten and loosen the couplings and plugs.

**Additional Information**

It is used to install ladder and to tighten and loosen the ladder nuts.

Product Code: Product Definition:

- SDS-02235** FISH NET HOLDING BRACKET SET



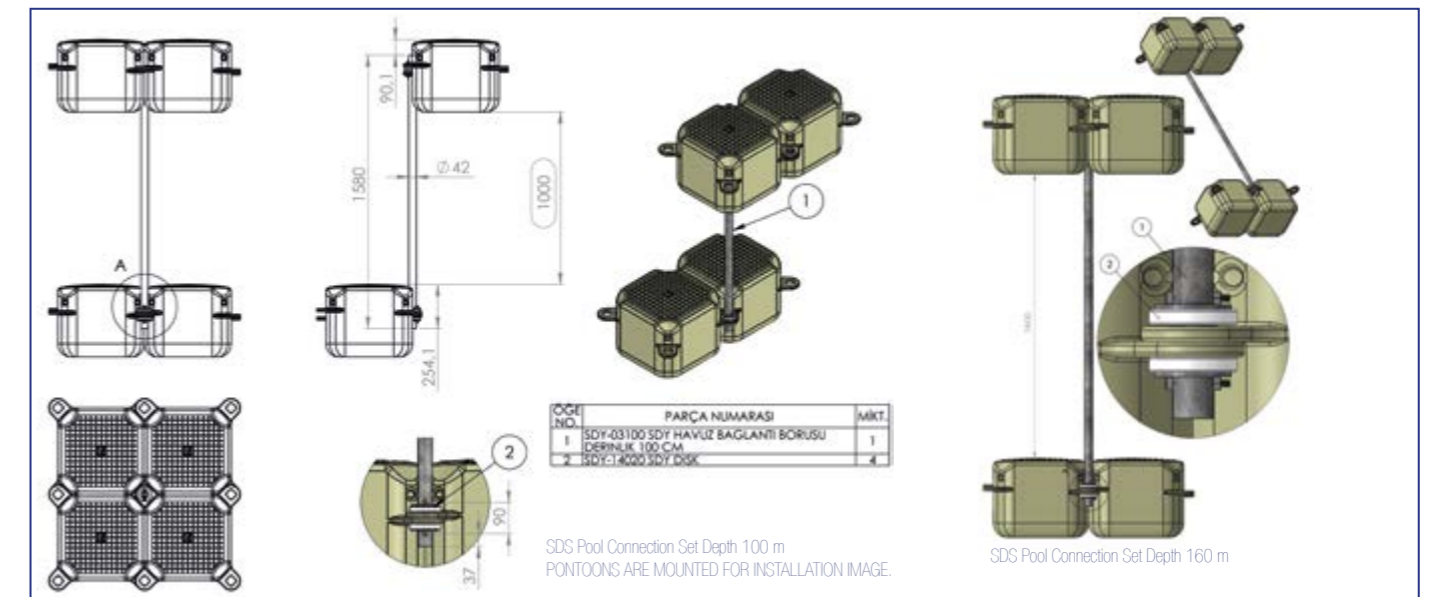
For Pool and Hydroelectric Plant Applications

**Additional Information**

They are galvanized brackets, having hook on tip and allowing the nets to be engaged with the pontoons.

Product Code: Product Definition:

- SDS-03100** SDS POOL CONNECTION SET DEPTH 100 cm
- SDS-03160** SDS POOL CONNECTION SET DEPTH 160 cm



**Additional Information**

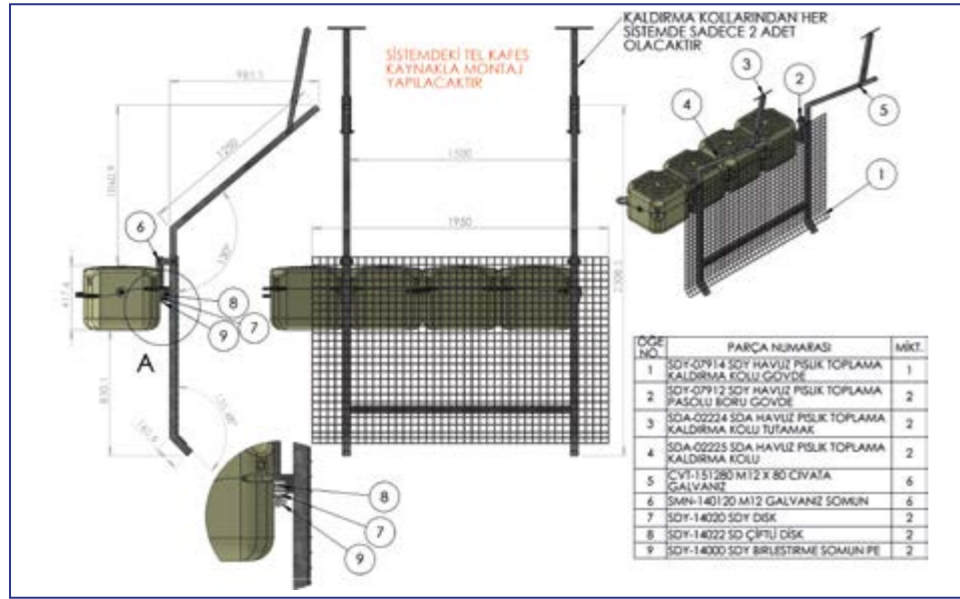
It is utilized to bind the cubes to each other and it constitutes lower floor and upper floor. It allows the demanded depths for pools.



Product Code: Product Definition:

For Pool and Hydroelectric Plant Applications

**SDS-03170 SDS POOL WASTE COLLECTION SET**

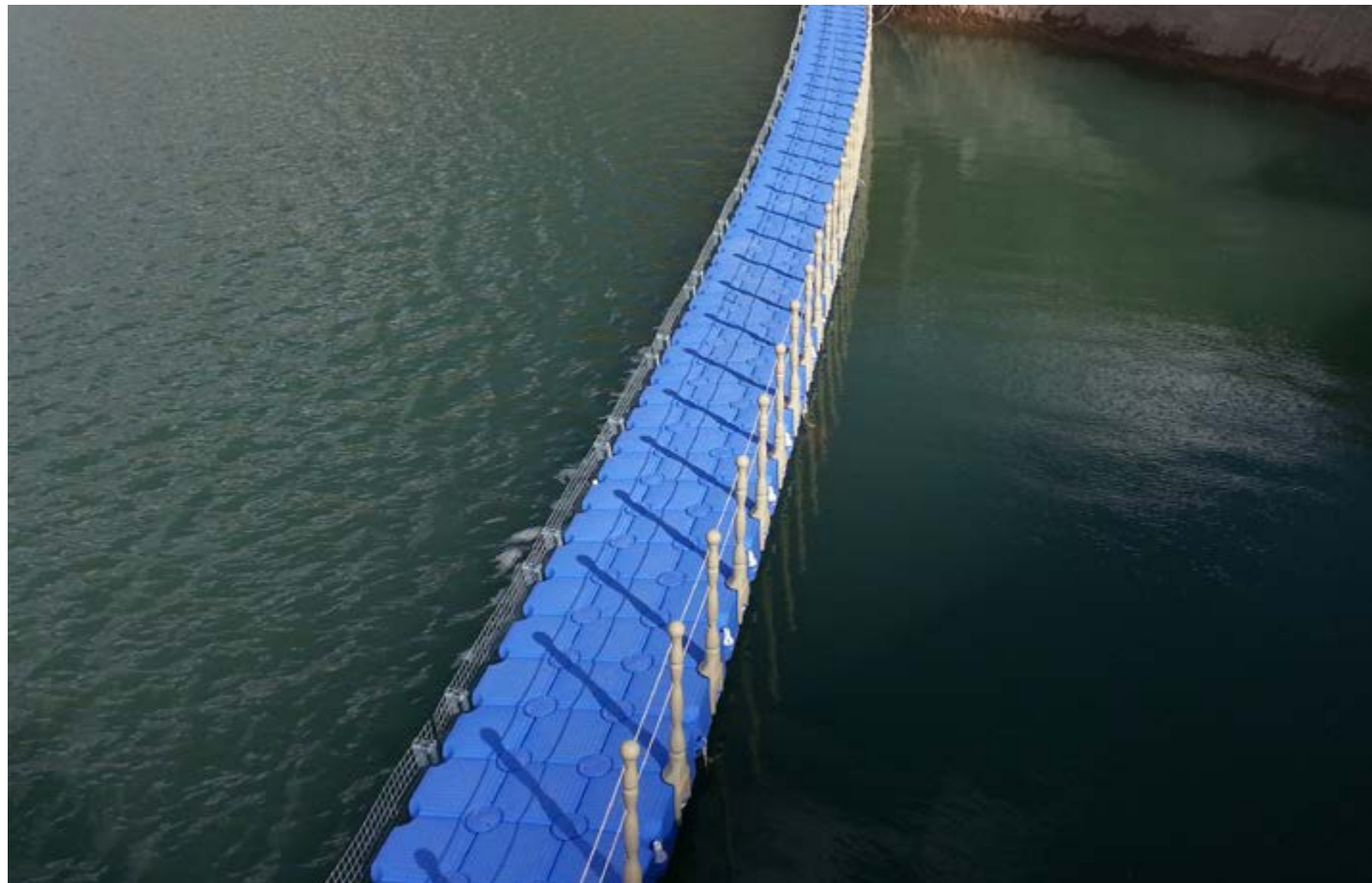


**Technical Information**

Width	: 195 cm	Weight	: 55 kg
Length	: 98 cm	Material	: Galvanize
Height	: 231 cm		

**Additional Information**

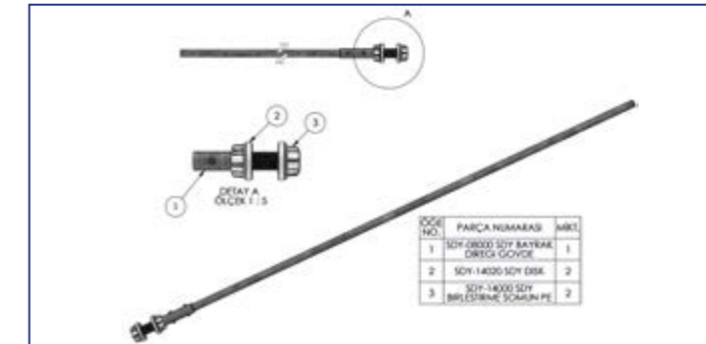
It collects the wastes drifting on the water due to any flow in a particular field by means of galvanized collection sets. It prevents regulator clogging problems especially for hydroelectric plants.



Product Code: Product Definition:

For Pool and Hydroelectric Plant Applications

**SDS-09010 SDS LAMP POST / FLAGPOLE SET**

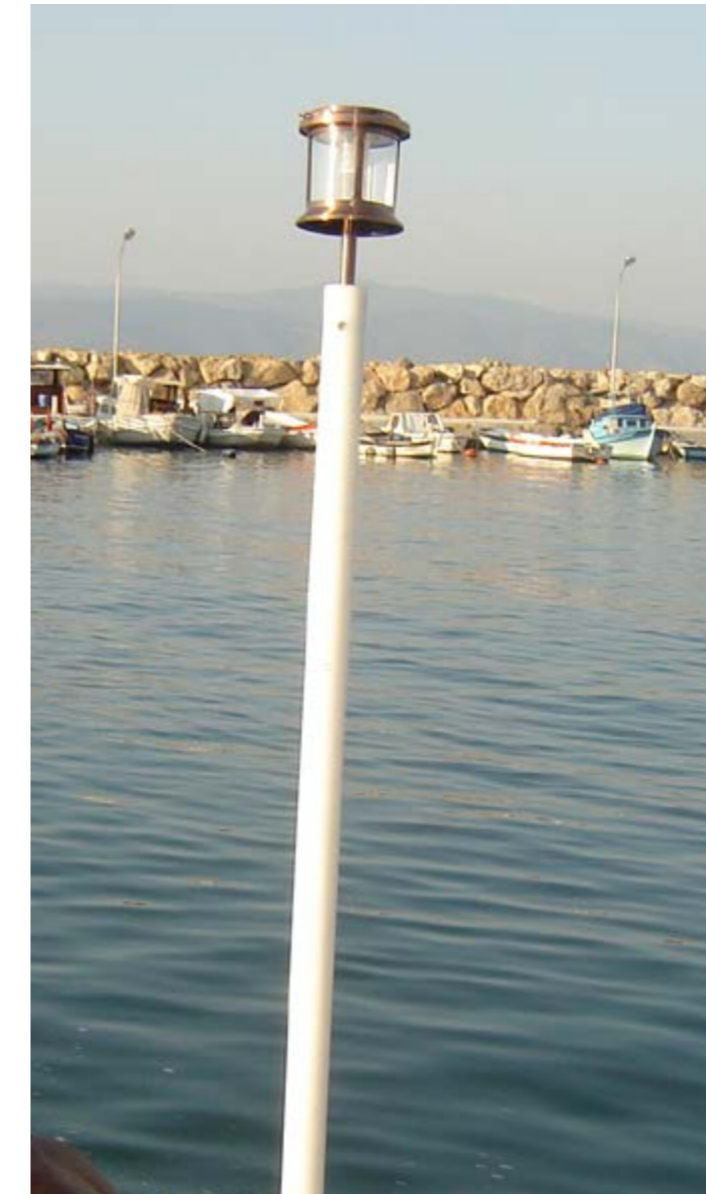


**Technical Information**

Diameter	: 3,5 cm	Weight	: 8 kg
Height	: 280 cm	Material	: Polyethylene

**Additional Information**

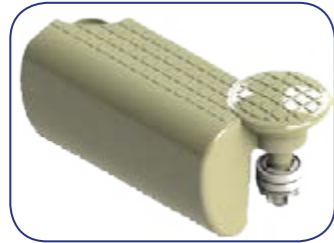
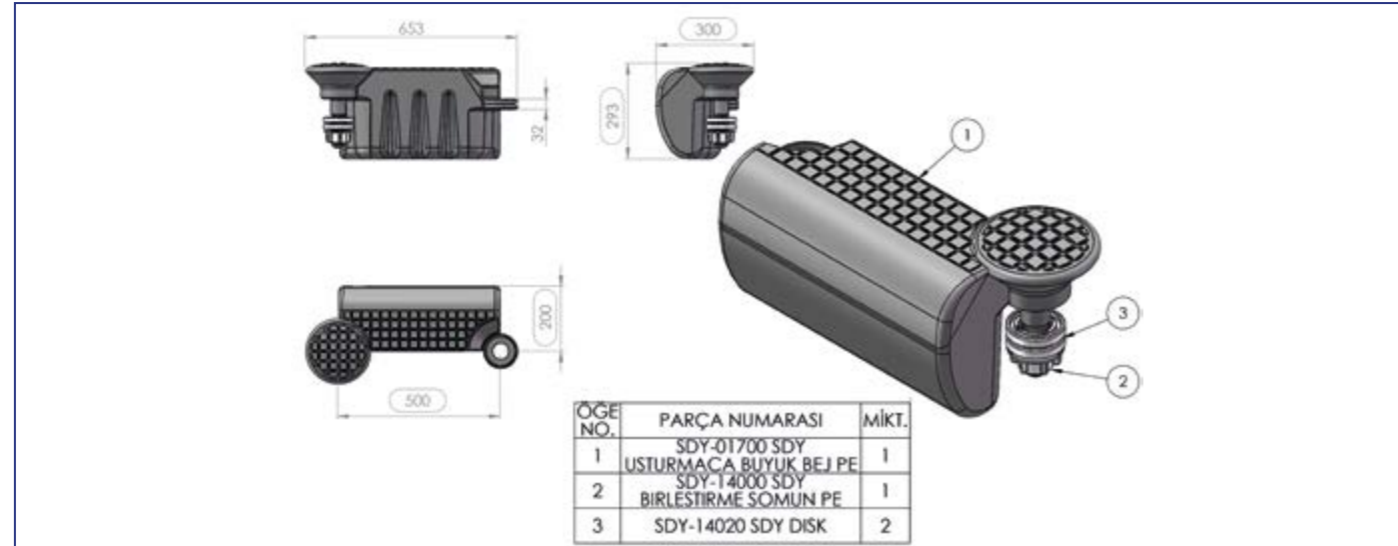
It is used to mount warning signs, flags/pennon and flash lamps to the pier.



Product Code: Product Definition:

<b>SDS-04340</b>	SD FENDER SET PE BEIGE
<b>SDS-04350</b>	SD FENDER SET PE BLUE
<b>SDS-04360</b>	SD FENDER SET PE GREY
<b>SDS-04370</b>	SD FENDER SET PE BLACK
<b>SDS-04341</b>	SD FENDER SET AFINITY BEIGE
<b>SDS-04351</b>	SD FENDER SET AFINITY BLUE

## Side Fender



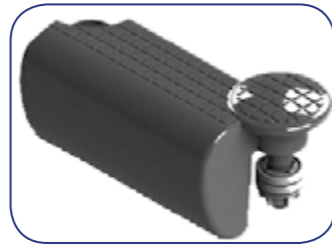
SD Fender Set PE Beige



SD Fender Set PE Blue



SD Fender Set PE Grey



SD Fender Set PE Black



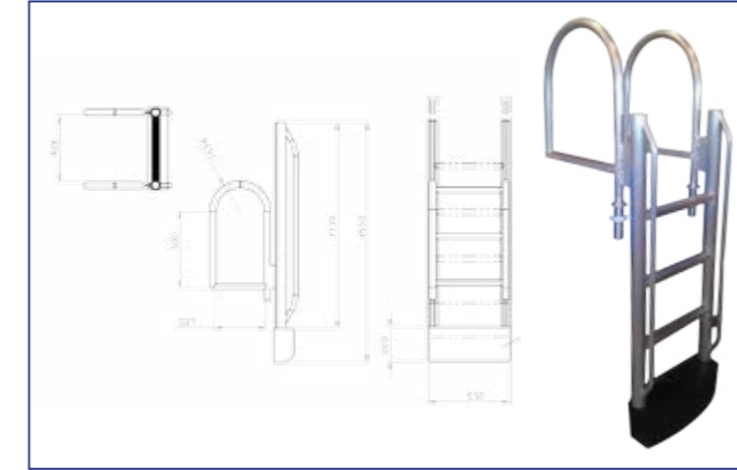
## Technical Information

Width	: 30 cm	Weight	: 2,6 kg
Length	: 65 cm	Material	: Polyethylene
Height	: 29 cm		

## Additional Information

They act as fender which prevents damage on the pier or marine vessel. It is being mounted on the side parts of Sunnydock pontoons.

Product Code: Product Definition:

**SDS-04410** ALUMINIUM LADDER 3 STEP

## Technical Information

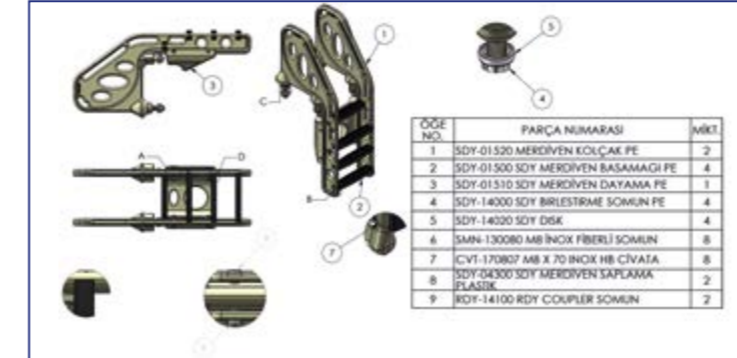
Width	: 55 cm	Weight	: 55 kg
Length	: 98 cm	Material	: Aluminium
Height	: 168 cm		

## Additional Information

It uplifts the part of the ladder in the water with a special water-gauge system when not in use. Therefore decreases the soaking time of the system and minimizes corrosion.

## Ladders

Product Code: Product Definition:

**SDS-04400** PE LADDER (COMPLETE SET)

## Technical Information

Width	: 80 cm	Bearing Capacity	: 130 kg
Length	: 180 cm	Weight	: 28 kg
Height	: 71 cm	Material	: Polyethylene

## Additional Information

It is three-stepped, guard-railed, easy to install and useful. It is not affected from sun lights.



Product Code: Product Definition:

- SDS-04509** PE INFLATED GUARD RAIL SET BEIGE
- SDS-04511** PE INFLATED GUARD RAIL SET BLUE

**Guard Rail**



**Technical Information**

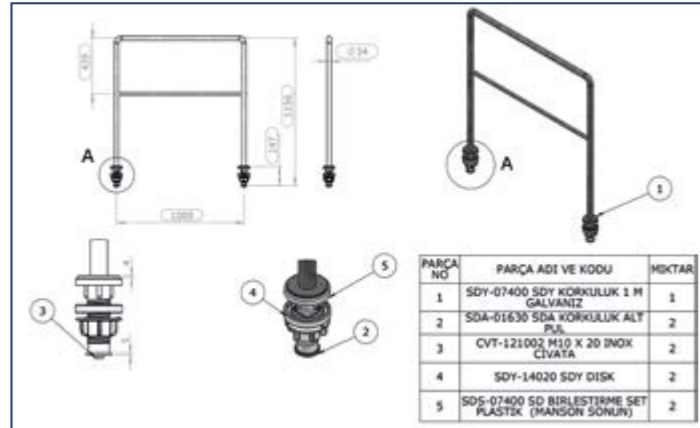
Diameter	: 16 cm	Weight	: 2,7 kg
Height	: 129 cm	Material	: Polyethylene

**Additional Information**

It prevents the walking person to fall from the pier. 8 mm ropes are reeved from the holes on each guard rail.

Product Code: Product Definition:

- SDS-04540** GUARD RAIL 1 m GALVANIZED



**Technical Information**

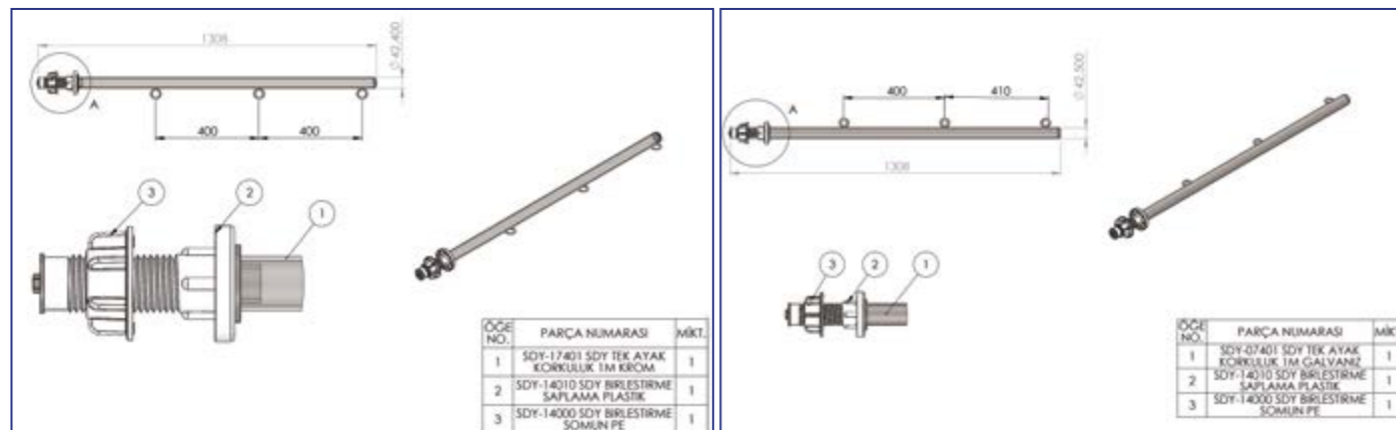
Width	: 7 cm	Weight	: 10 kg
Length	: 110 cm	Material	: Galvanized
Height	: 120 cm		

**Additional Information**

It prevents the walking person to fall from the pier and creates holding areas. It is made of hot-dip galvanized coating.

Product Code: Product Definition:

- SDS-04541** ONE FOOT GUARD RAIL 1 m CHROME
- SDS-04542** ONE FOOT GUARD RAIL 1 m GALVANIZED



Product Code: Product Definition:

- SDS-04600** PE CLEAT SET BEIGE
- SDS-04610** PE CLEAT SET BLUE
- SDS-04620** PE CLEAT SET GREY
- SDS-04630** PE CLEAT SET BLACK

**Cleat**



Product Code: Product Definition:

- SDS-04650** CLEAT SET GALVANIZED



**Technical Information**

Width	: 22 cm	Weight	: 3,25 kg
Height	: 22.4 cm	Material	: Galvanized

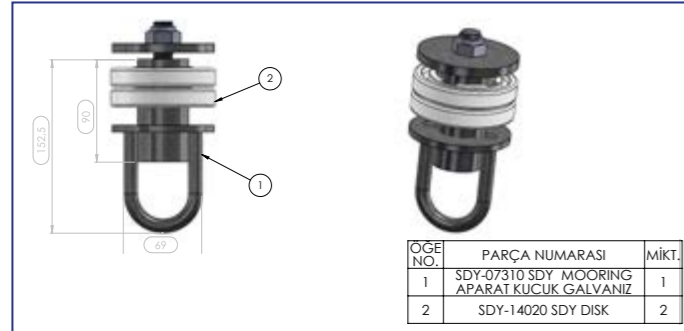
**Additional Information**

Galvanized or plastic cleats allow to tie boats or any marine vessels to the pier.



Product Code: Product Definition:

**SDS-07100** MOORING SET SHORT GALVANIZED

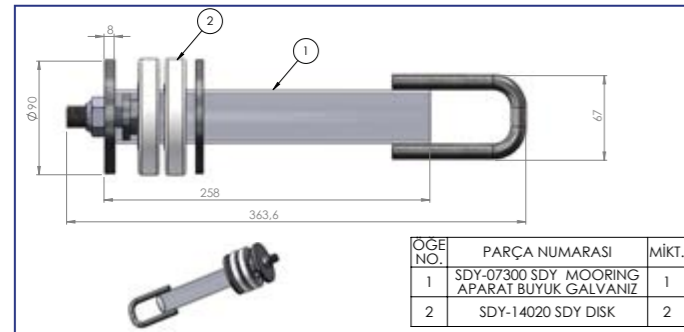


**Technical Information**

Diameter	: 7,5 cm	Weight	: 1 kg
Height	: 17 cm	Material	: Galvanized

Product Code: Product Definition:

**SDS-07110** MOORING SET LONG GALVANIZED

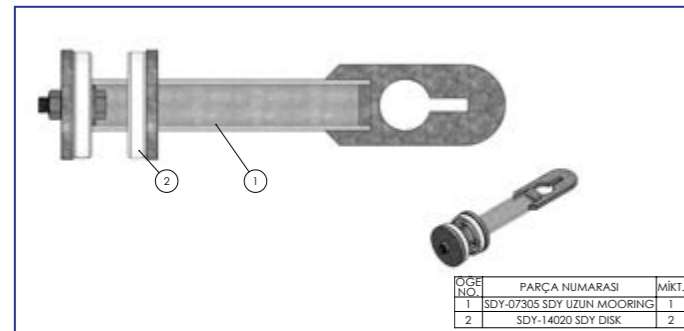


**Technical Information**

Diameter	: 7,5 cm	Weight	: 1 kg
Height	: 17 cm	Material	: Galvanized

Product Code: Product Definition:

**SDS-07300** CHAIN HOLDER MOORING SET



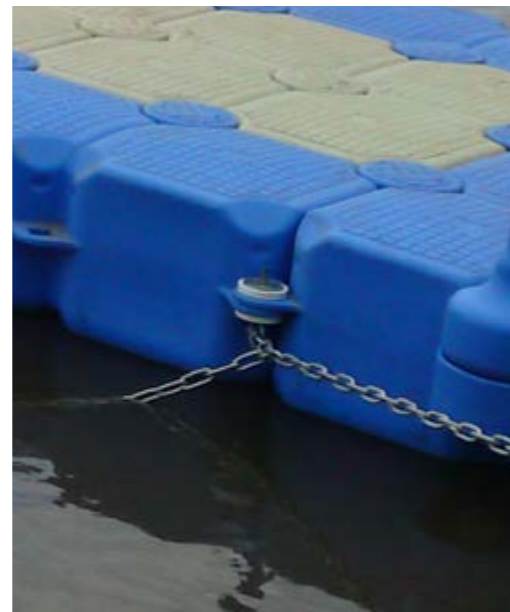
**Technical Information**

Diameter	: 9,5 cm	Weight	: 3 kg
Height	: 40,7 cm	Material	: Galvanized

**Additional Information**

Chain holder allows the connection of the chain adhering to vault or anchor with the pier in order to moor the platform.

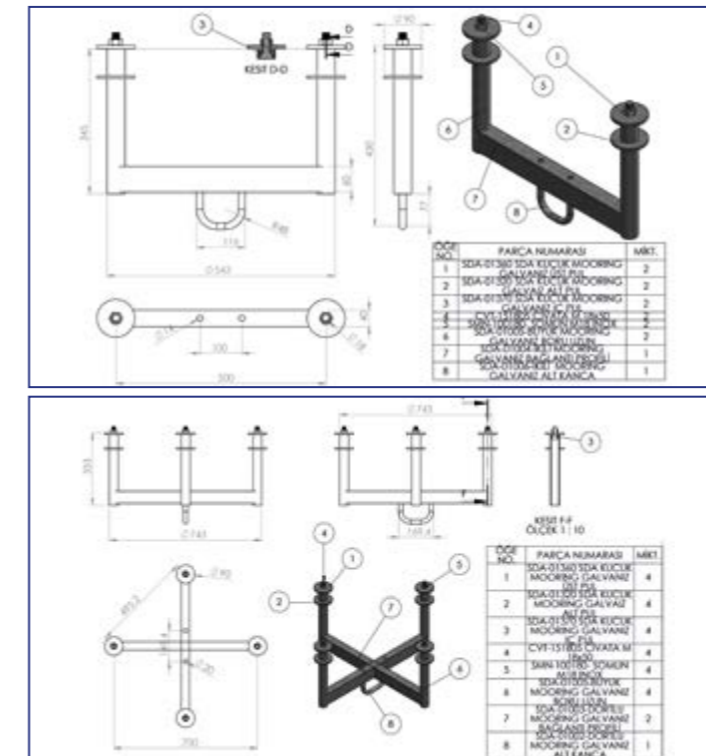
**Mooring With Chain And Vault**



Product Code: Product Definition:

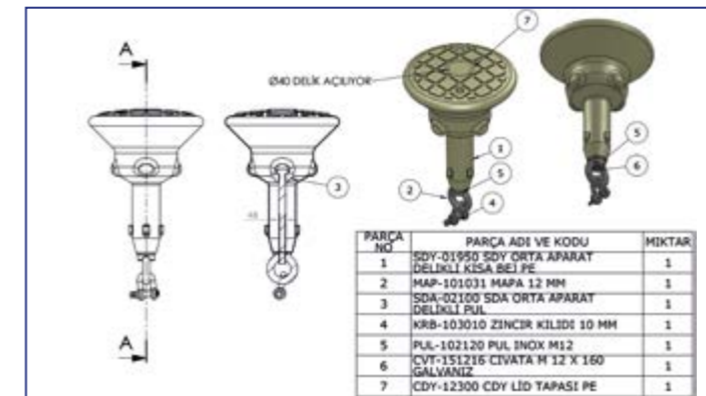
**SDS-07113** MOORING SET LONG GALVANIZED DOUBLE

**SDS-07112** MOORING SET LONG GALVANIZED QUADRUPLE



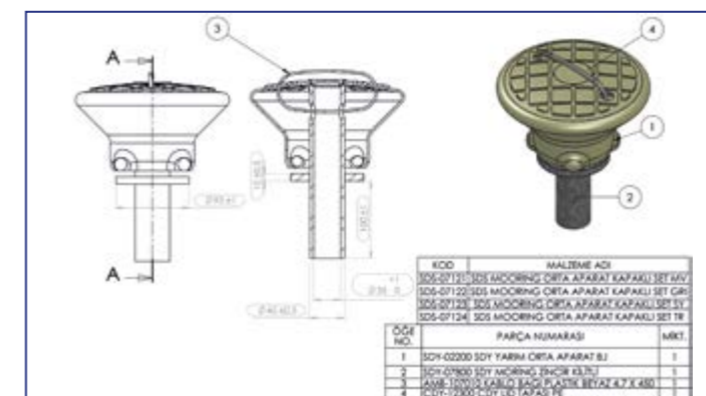
Product Code: Product Definition:

**SDS-07013** EYEBOLTED MIDPOINT APPARATUS SHORT SET BLACK



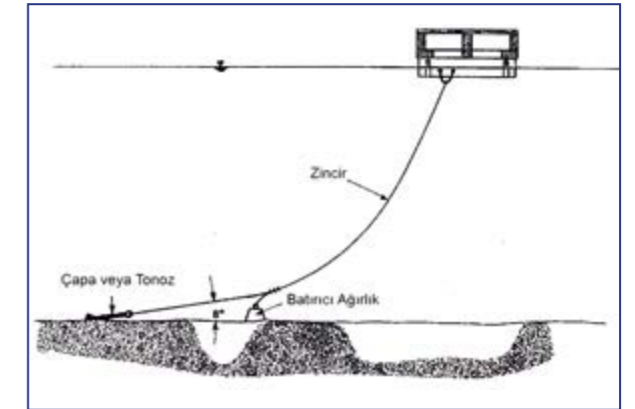
Product Code: Product Definition:

**SDS-07123** EYEBOLTED MIDPOINT APPARATUS COVERED SET BLACK



Product Code: Product Definition:

**How to moor with chain and vault?**



**Additional Information**

It is used with the loads mounted on the edge of the eyebolt in order to prevent the large pool floors from sagging.

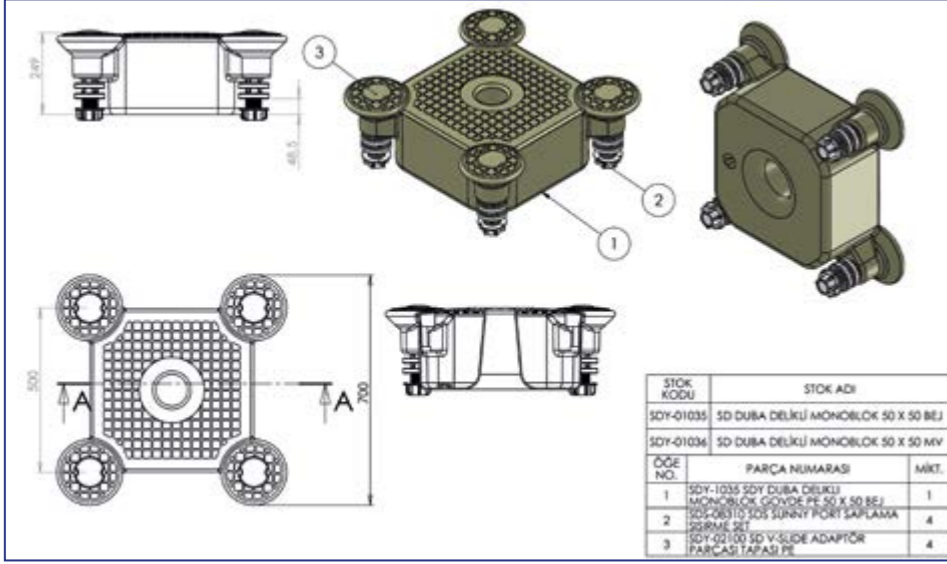
**Additional Information**

Equipment installation on the pier is possible by means of covered midpoint apparatus set. It is used for the purpose of mooring with the chain connection.

Product Code: Product Definition:

- SDS-01035** PERFORATED PONTOON BEIGE
- SDS-01036** PERFORATED PONTOON BLUE

Mooring with pole



Technical Information

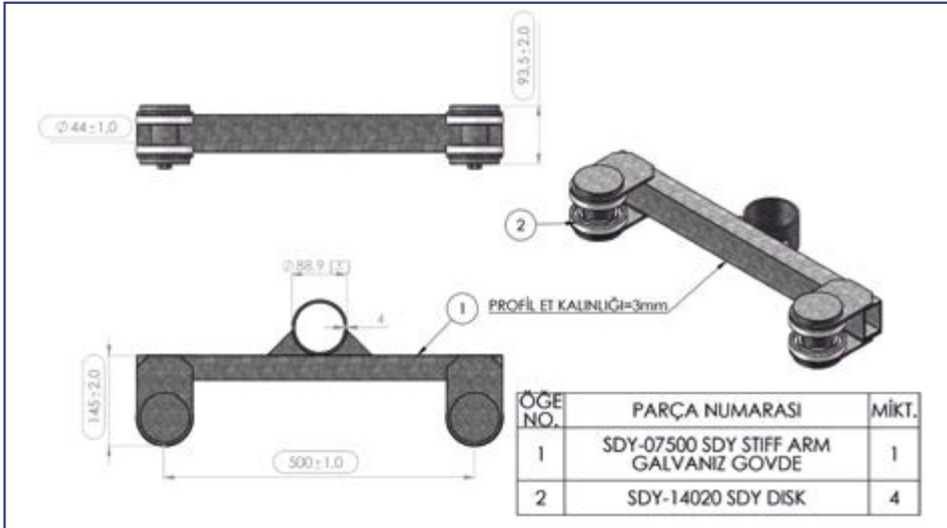
Pipe dia.	: 9 cm	Weight	: 6,5 kg
Height	: 250 cm	Material	: Polyethylene

Additional Information

Perforated cubes are used to moor the pier with pole and allows the pier to be moored with pole inside.

Product Code: Product Definition:

- SDS-07600** PIPE BRACKET 9 cm DIAMETER GALVANIZED



Technical Information

Width	: 23,5 cm	Weight	: 8,6 kg
Height	: 59 cm	Material	: Galvanized

Additional Information

It is utilized to mount the pier to the coast by using with coast connection adapters. It is applied for 9 cm diameter pipes.

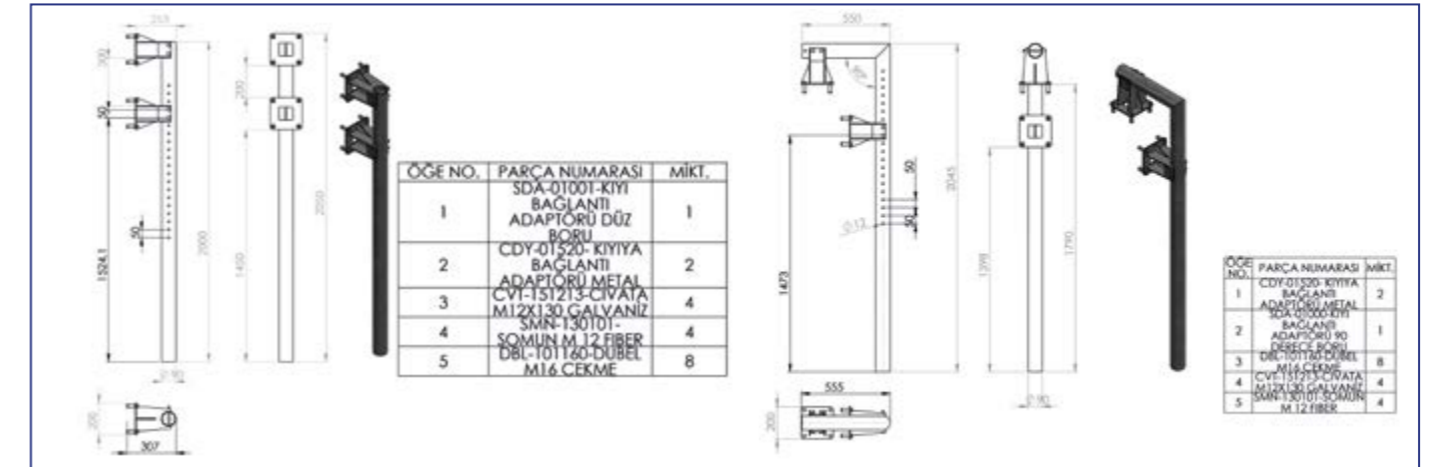
Product Code: Product Definition:

- SDS-07700** 20 cm DIAMETER PIPE BRACKET SET GALVANIZED
- SDS-07710** 30 cm DIAMETER PIPE BRACKET SET GALVANIZED
- SDS-07720** 40 cm DIAMETER PIPE BRACKET SET GALVANIZED



Product Code: Product Definition:

- CDS-01530** STRAIGHT COAST CONNECTION ADAPTER SET
- CDS-01531** 90° COAST CONNECTION ADAPTER SET



SET DETAILS

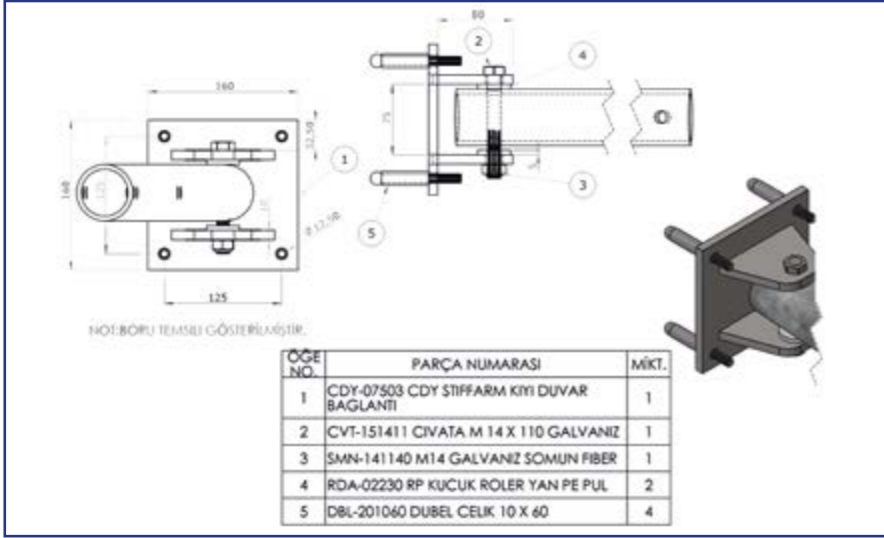
Product Code: Product Definition:

**CDS-07503** CD STIFF ARM COAST WALL PLATE SET

**Mooring with Arm**

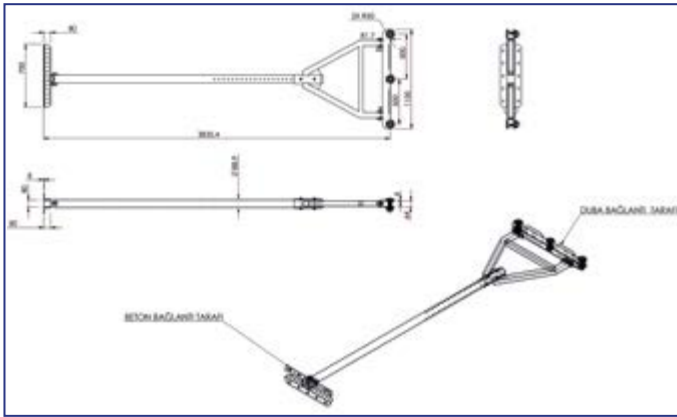
**Additional Information**

By means of plate set mounted to the coast, Stiff Arm is connected with the bracket, therefore the pier is fixed in a particular distance from the coast.



Product Code: Product Definition:

**SDS-08000** SD STIFF ARM COMPLETE SET GALVANIZED



**Technical Information**

Pipe : 2-12 cm Material : Galvanized

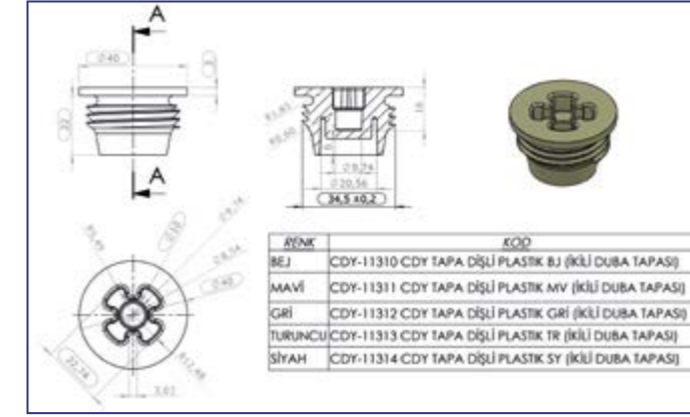
**Additional Information**

By means of plate set mounted to the coast, Stiff Arm is connected with the bracket, therefore the pier is fixed in a particular distance from the coast.



Product Code: Product Definition:

- CYD-11310** PONTOON PLUG BEIGE
- CYD-11311** PONTOON PLUG BLUE
- CYD-11312** PONTOON PLUG GREY
- CYD-11313** PONTOON PLUG ORANGE
- CYD-11314** PONTOON PLUG BLACK



**Ladder Parts**

Product Code: Product Definition:

- SDY-01510** LADDER PONTOON LEANING
- RDY-14100** LADDER LEANING NUT
- SDY-01500** LADDER STEP

Product Code: Product Definition:

- CVT-170807** STEP BOLT
- SMN-130080** STEP BOLT NUT
- SDY-01520** LADDER ARMREST

